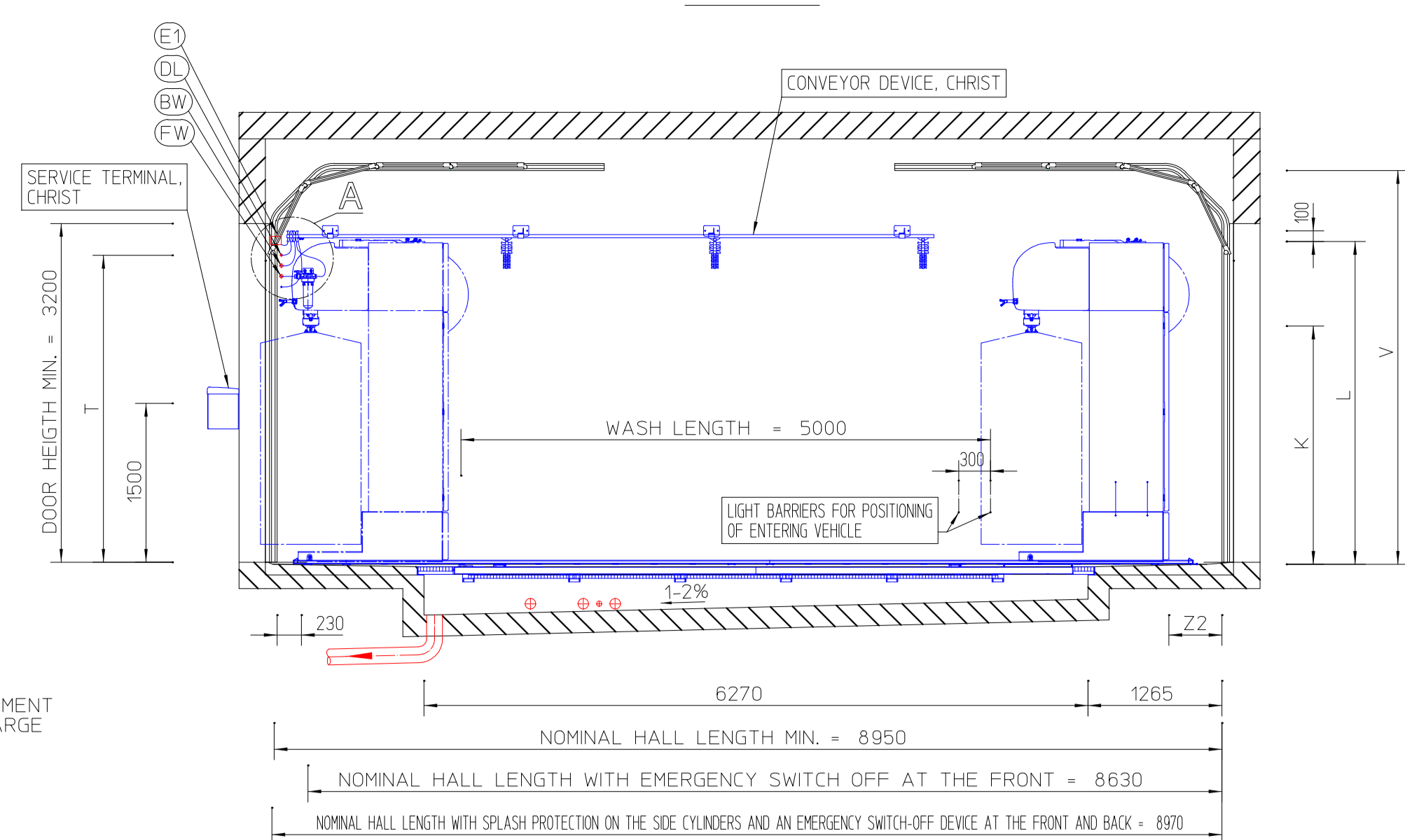
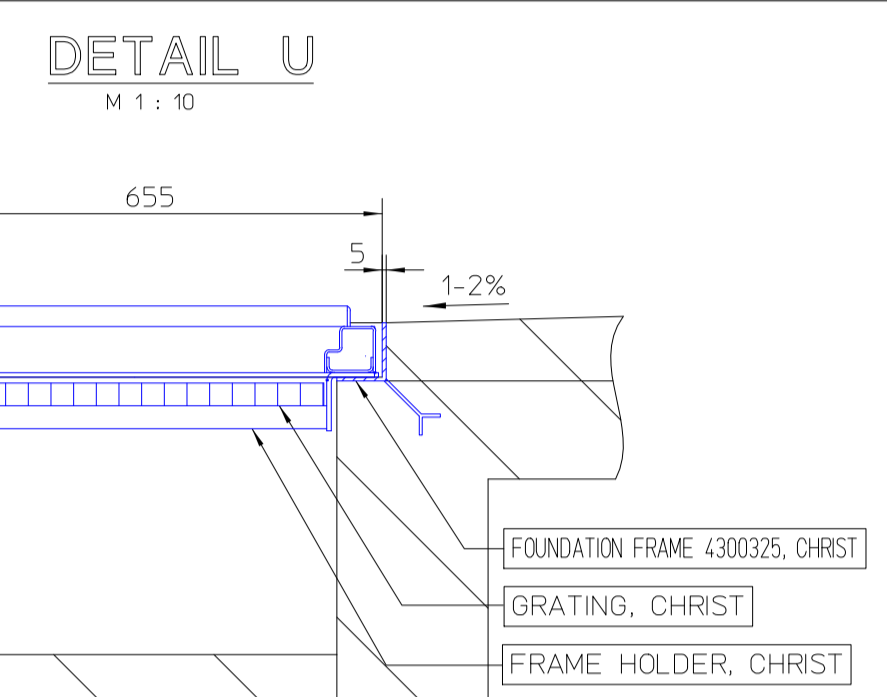
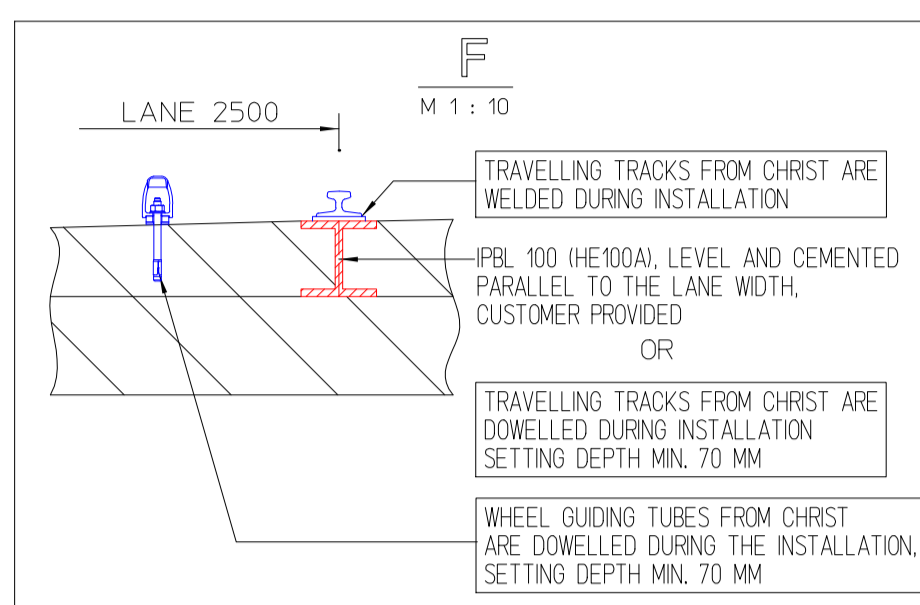
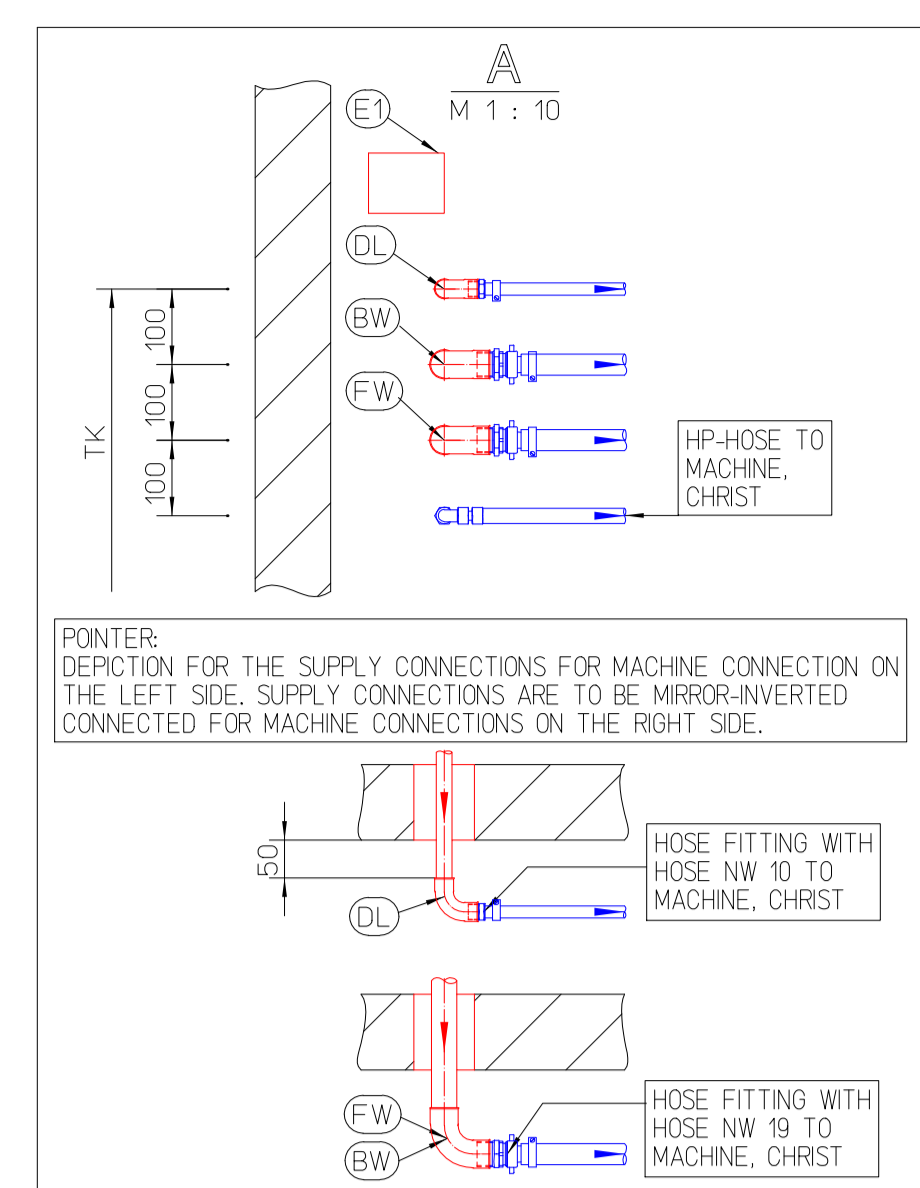
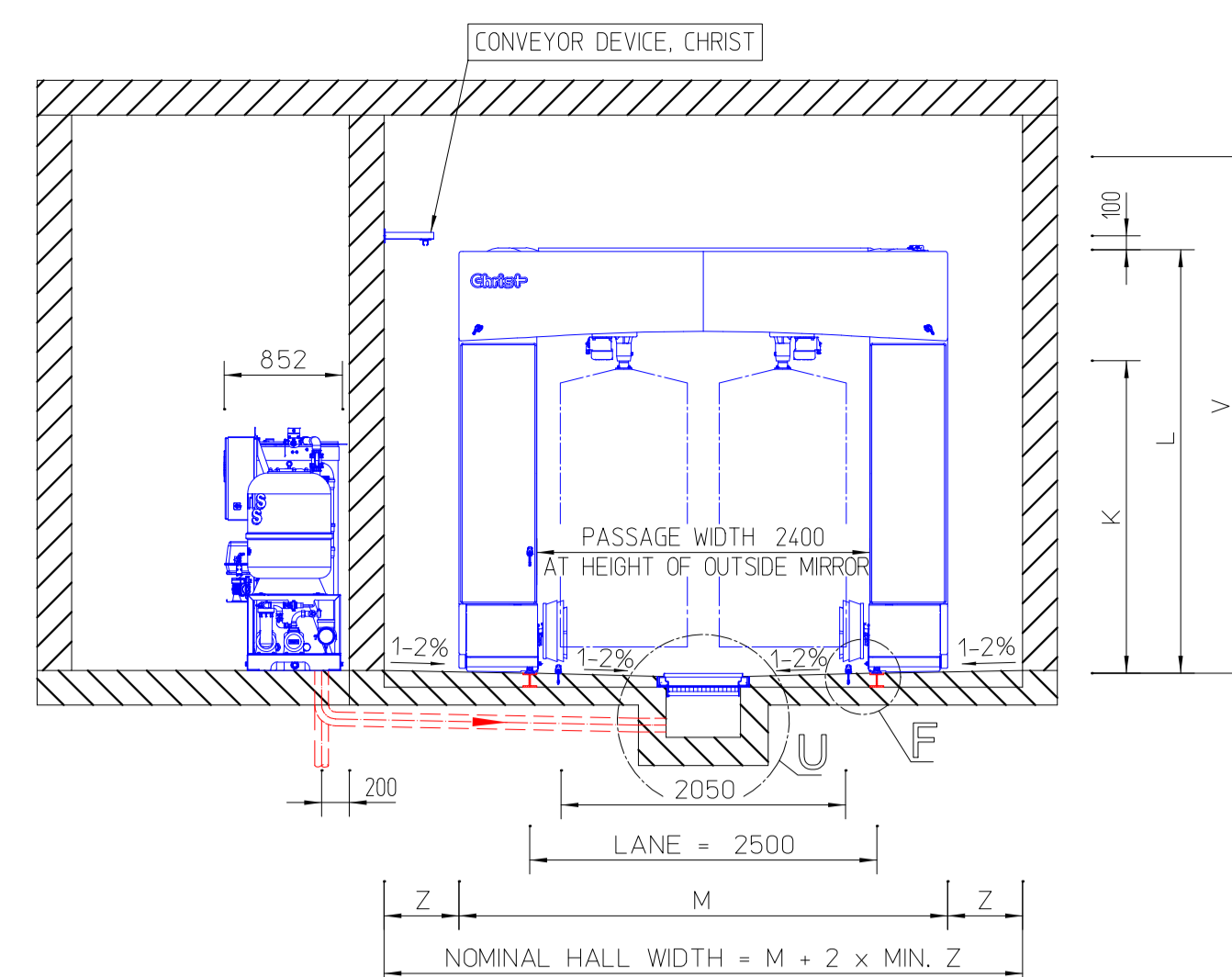


INSTALLATION IN HALL

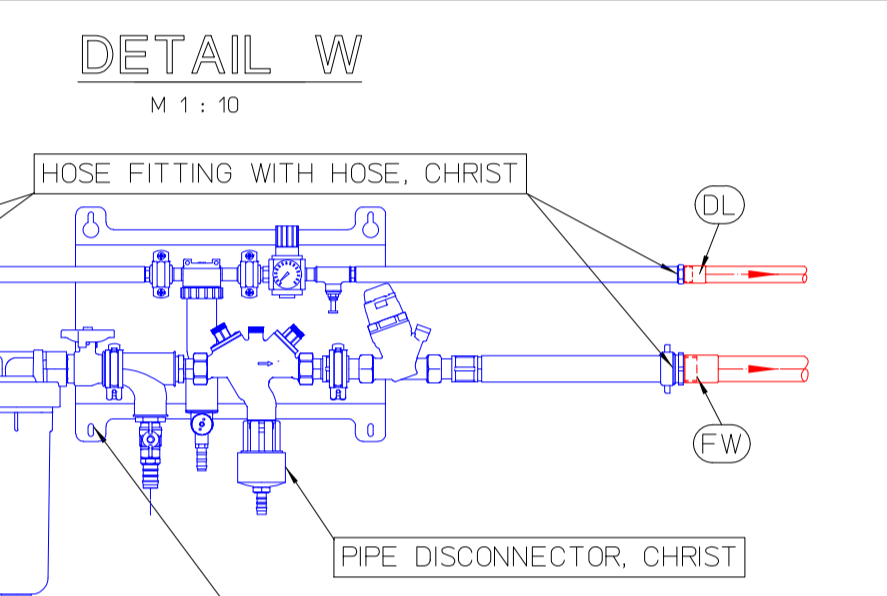
B - B



A - A

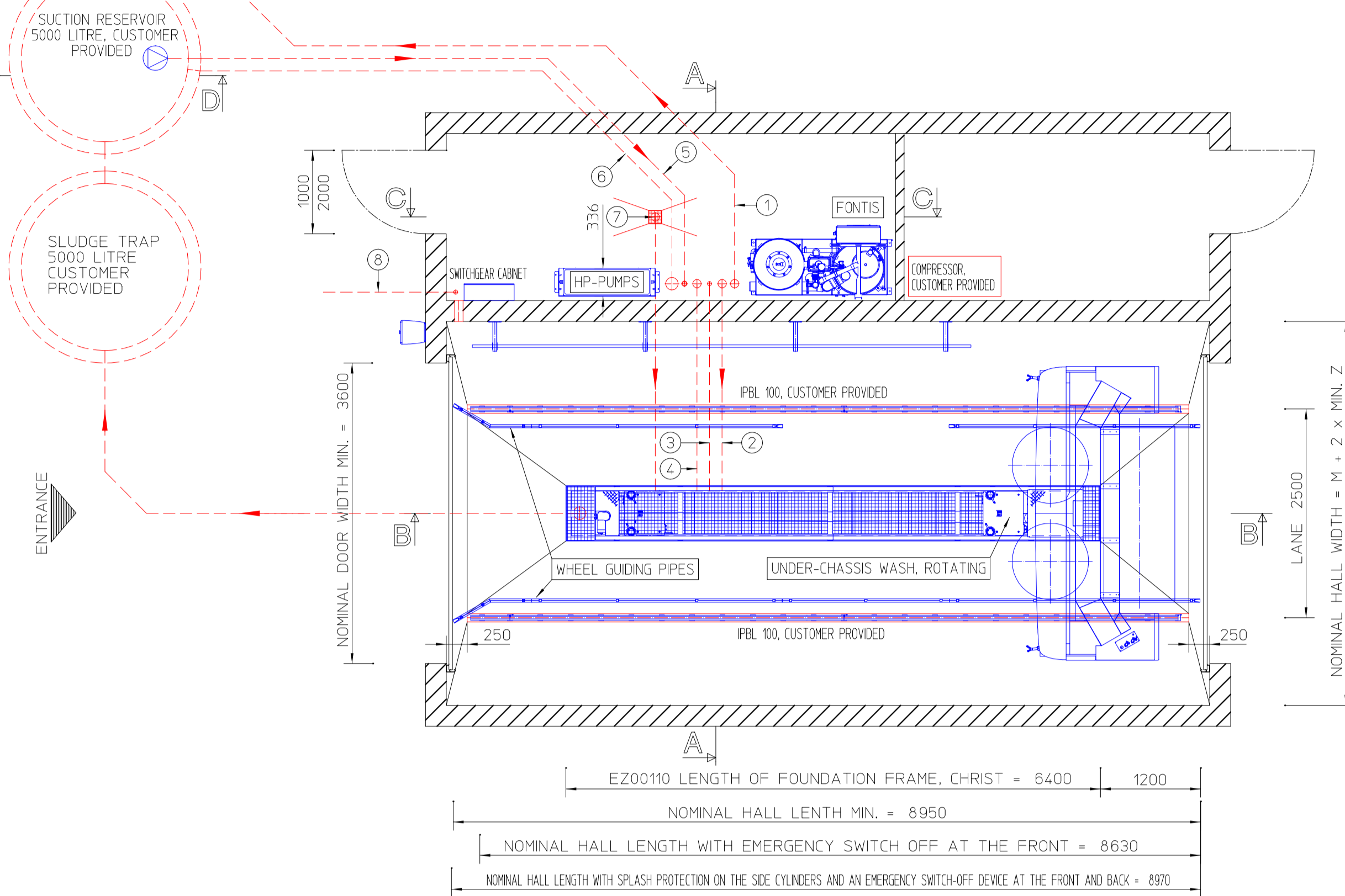


POINTER: SHOULD THE E20010 - ROTATIONAL LCM BE INSTALLED AT FLOOR LEVEL, BE ORDERED, THEN THE FOUNDATION FRAME 430025 FOR CUSTOMER PROVIDED CONCRETE CASTING FROM CHRST BE RETRIEVED. A SIMPLE CUTTER CAN ALSO BE MADE WITHOUT THE E20010.

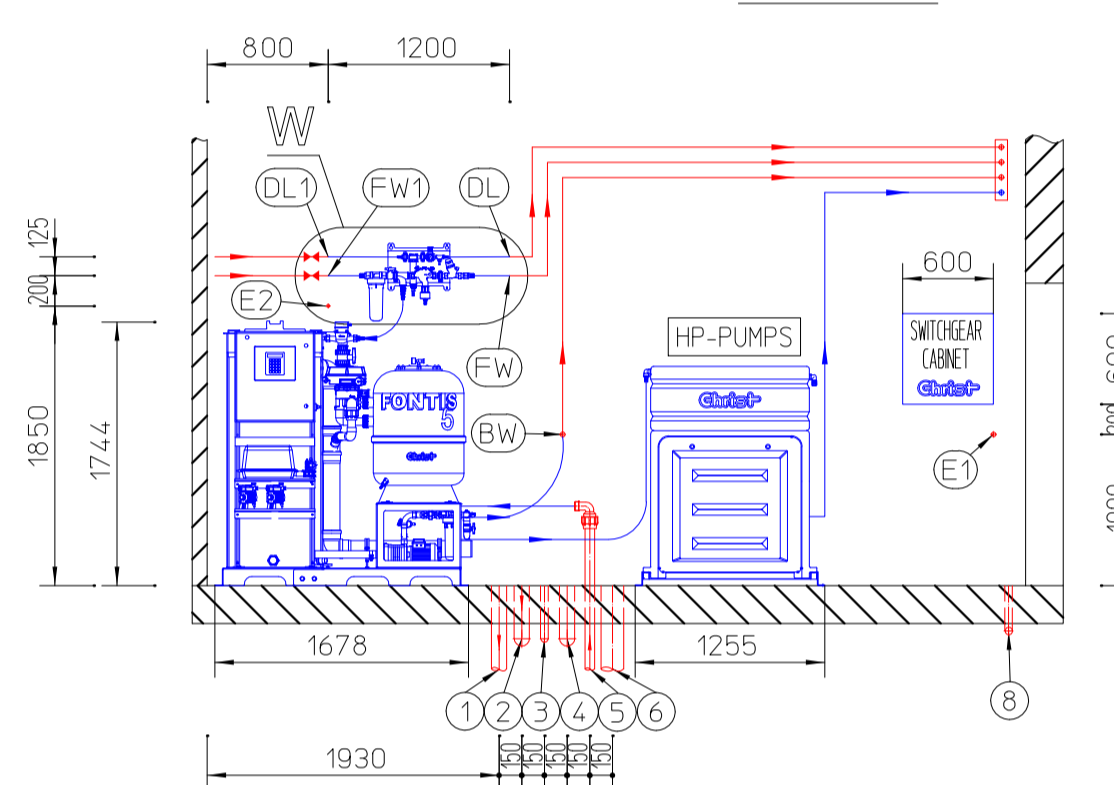


- CIRCULATION GUIDANCE
- DRAINAGE WATER TREATMENT
- DRAINAGE WATER DISCHARGE
- SEE GENERAL POINTERS

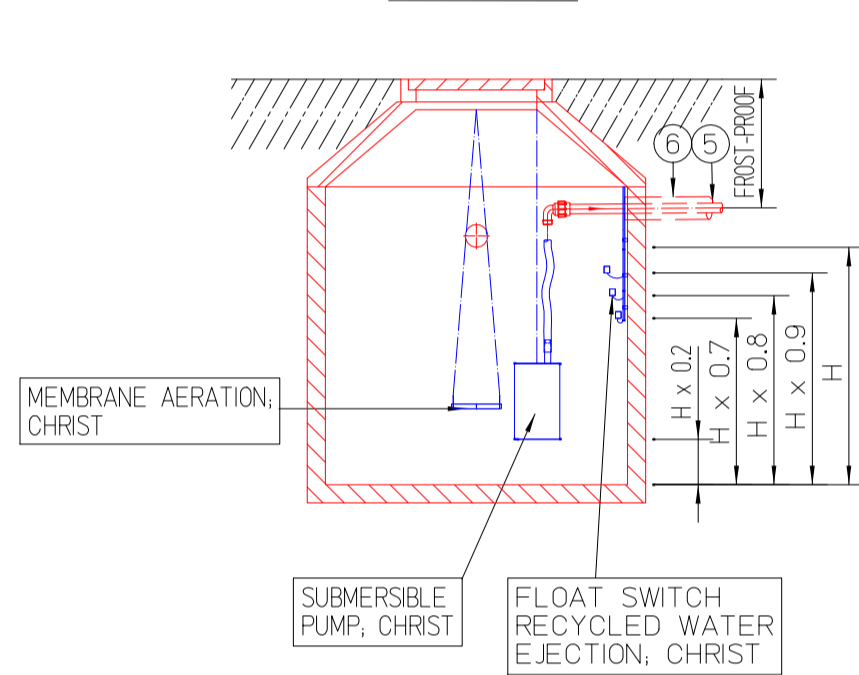
IF THE FONTIS ORDER INCLUDES THE OPTION RECYCLED WATER EJECTION, NO OVERFLOW IS REQUIRED



C - C

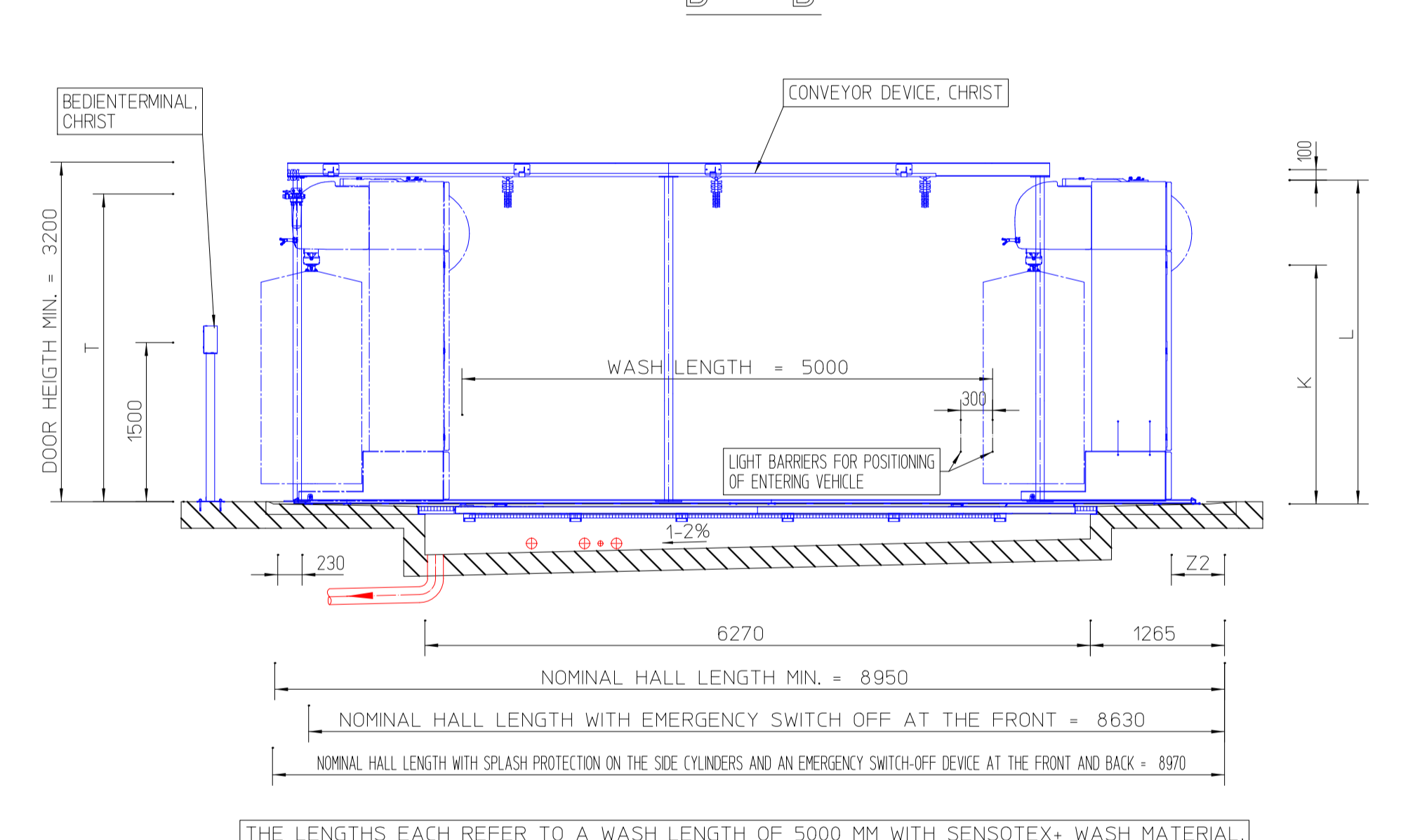


D - D

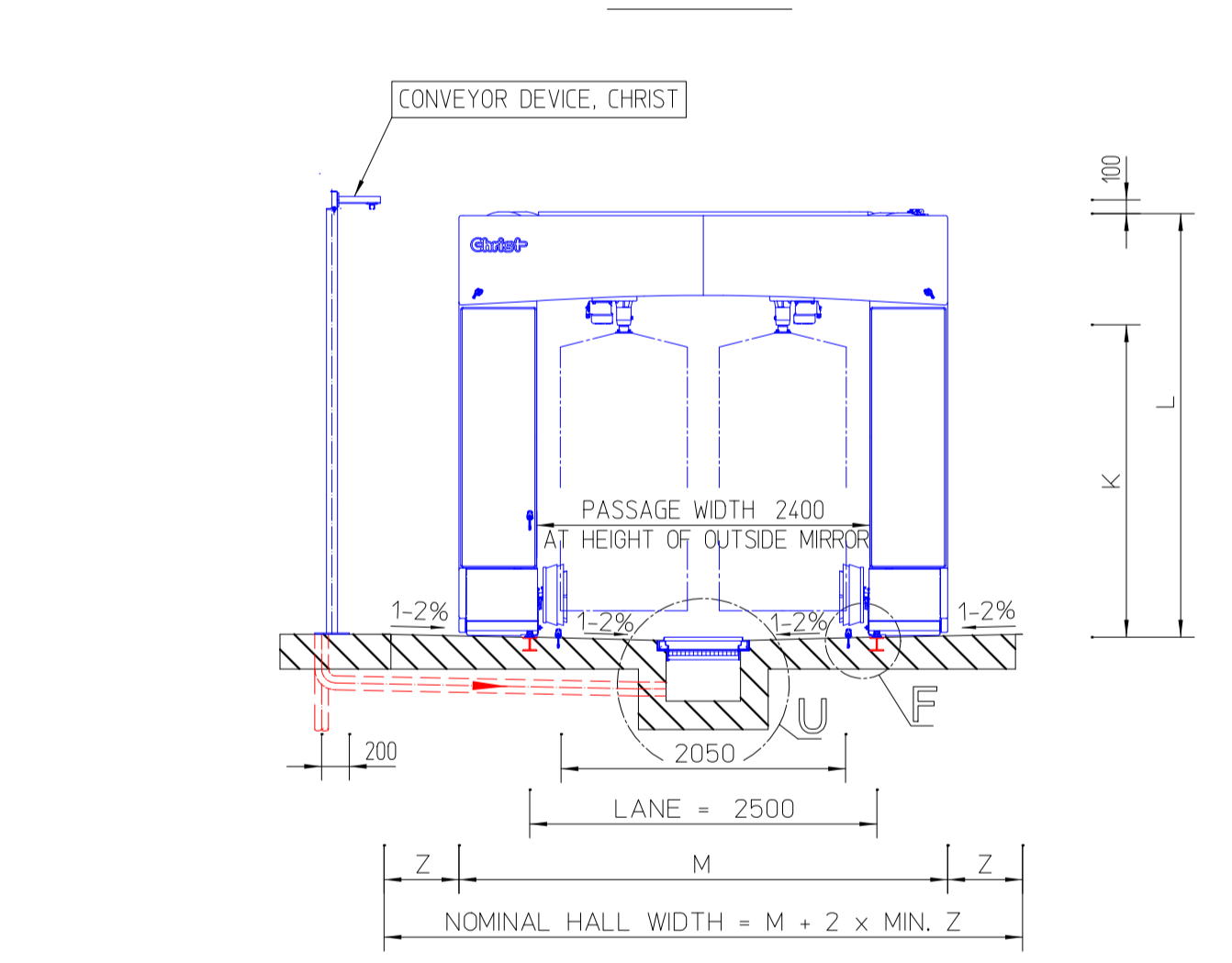


ROOF FREE WASH BAY

B - B



A - A



INSTALLATION

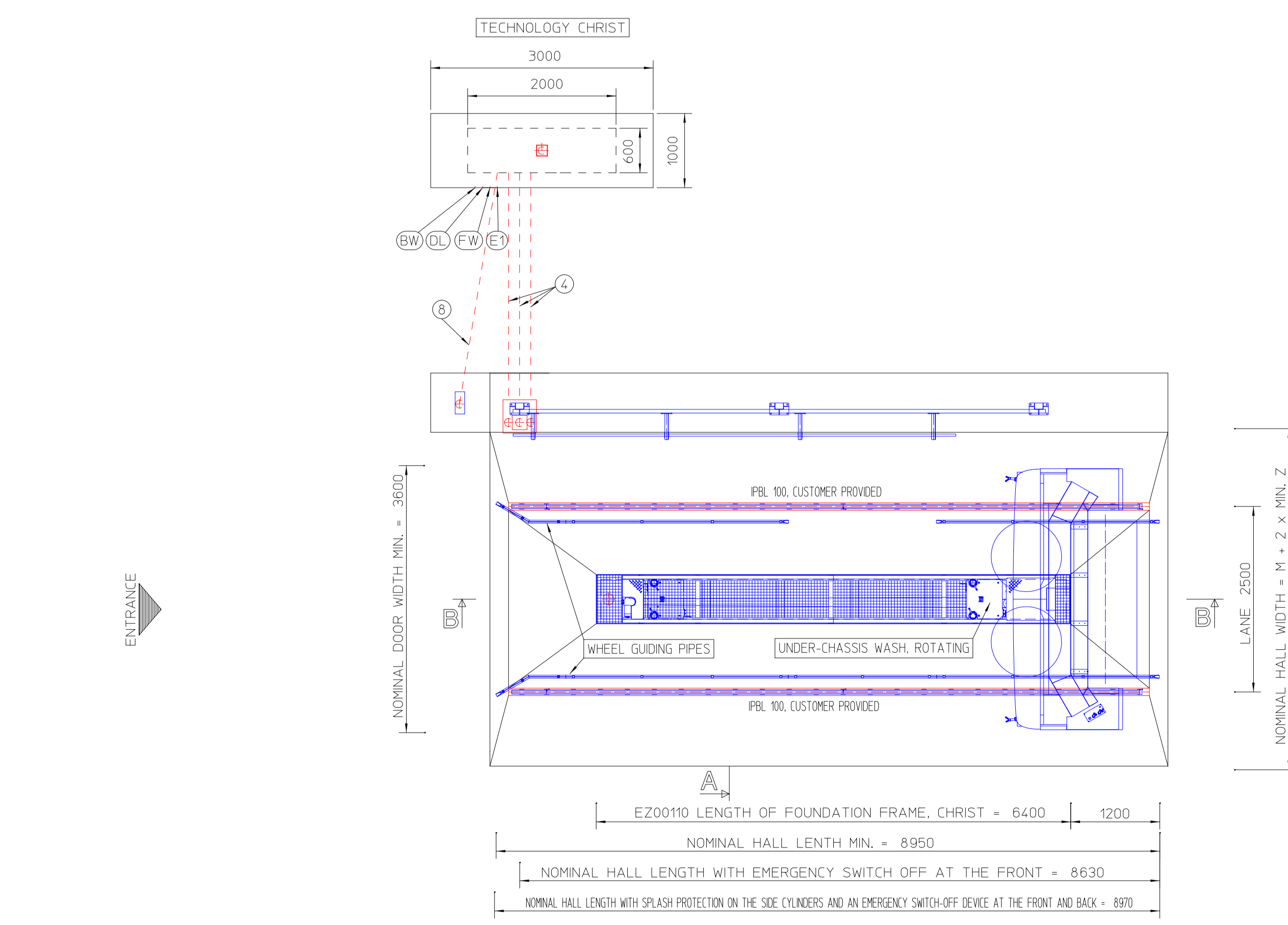
POS.	DESIGNATION	TECHNICAL DATA
K	PASSAGE HEIGHT (PH)	2250 2650
L	MACHINE HEIGHT, MAX.	3080 3480
M	MACHINE WITH MAX. - BAK WDR. - WITH SLASH PROTECTION SEE BRUSHLET + RWH	3520 3520 3720 3720
V	CONNECTION HEIGHT	2900 3300
T	NOMINAL HALL HEIGHT, MIN.	3130 3530
Z	SAFETY DISTANCE 500 MM	
Z2	SAFETY DISTANCE WITHOUT EMERGENCY SWITCH OFF 500 MM SAFETY DISTANCE WITH EMERGENCY SWITCH OFF 125 MM	

POS.	DESIGNATION	SPECIFICATION
E1	ELECTRICAL SUPPLY LEAD C16 WITH SUPPLY PUMPS TO MAX. 4.0 KW; WITH SUPPLY PUMPS TO MAX. 8.0 KW; CUSTOMER PROVIDED	400 V, 3/N/PE, 50 HZ, CABLE WITH 2 M PROTRUSION 120 KW, 21 A 195 KW, 24 A
E2	ELECTRICAL FEEL LINE FONTIS-5, CUSTOMER PROVIDED	4 KW, 400 V, 3/N/PE, 50 HZ, 16 A, CABLE WITH 2 M PROTRUSION
FW1	FRESH WATER CONNECTION C16 - FONTIS-5, CUSTOMER PROVIDED	B.P.S. 1', LOCKABLE, 3.5 BAR, 100 L/MIN
FW	FRESH WATER LINE, CUSTOMER PROVIDED	B.P.S. 1', 35 BAR, 100 L/MIN, BOTH SIDES WITH CONNECTING THREAD B.P.S. 1'
DL	AIR-PRESSURE CONNECTION C16, CUSTOMER PROVIDED	B.P.S. 1/2", LOCKABLE, 8 BAR, 300 L/MIN
DL	AIR-PRESSURE LINE, CUSTOMER PROVIDED	B.P.S. 1/2", 8 BAR, BOTH SIDES WITH CONNECTING THREAD B.P.S. 1/2"
BW	RECYCLED WATER LINE, CUSTOMER PROVIDED	B.P.S. 1', 35 BAR, 100 L/MIN, BOTH SIDES WITH CONNECTING THREAD B.P.S. 1'

POS.	DESIGNATION	SPECIFICATION
1	DRAINAGE PIPE FONTIS-5 RECYCLED WATER-EJECTION, CUSTOMER PROVIDED	DN 100, WITH DECLINE TO CANALIZATION
2	DRAINAGE PIPE FONTIS-5 BACK RINSE, CUSTOMER PROVIDED	DN 100, WITH DECLINE TO UNTER-CHASSIS WATER PIT I.E. SLUDGE TRAP
3	CONDUIT PIPE FONTIS-5 - FLOCCULANTS-DOSING, CUSTOMER PROVIDED	DN 50, WITH PULL WIRE AND DECLINE TO UNTER-CHASSIS WATER PIT I.E. SLUDGE TRAP
4	CONDUIT PIPE UNTER-CHASSIS WASHER, CUSTOMER PROVIDED	DN 100, WITH PULL WIRE AND DECLINE TO UNTER-CHASSIS WATER PIT
5	PRESSURE LINE FONTIS-5 - POLLUTED WATER, CUSTOMER PROVIDED	DN 50 HDPE-ROHR 63x5.8 MM P16, DN 8074/8075, BOTH SIDES WITH CONNECTING THREAD B.P.S. 2', DECLINE TO DRAINAGE TANK, MAX. LENGTH 25 M, GEODETIC CONTROL HEIGHT 3 MTR.
6	CONDUIT PIPE FONTIS-5, FEED LINE DRAINAGE-PIT, CUSTOMER PROVIDED	DN 150, WITH PULL WIRE AND DECLINE TO DRAINAGE TANK
7	DRAINAGE PIPE PLANT ROOM, CUSTOMER PROVIDED	DN 100, WITH DECLINE TO SLUDGE TRAP
8	CONDUIT PIPE C-CAT DATA CABLE, CUSTOMER PROVIDED	DN 50, WITH PULL WIRE TO THE CASHIER OFFICE, DATA CABLE TO BE LAD BY TH CUSTOMER RETRIEVED AT CHRST

GENERAL POINTERS:

- THIS PLAN IS NOT BASED ON A SPECIFIC PROJECT AND IS NOT AN IMPLEMENTATION PLAN IT IS PURELY FOR THE USAGE OF THE ARCHITECT / PLANNER
- THE OTTO CHRIST AG IS TO BE NOTIFIED OF DEVIATIONS IN CUSTOMER PERFORMANCES.
- MEASUREMENTS ARE GIVEN IN MM
- MEASUREMENTS PERTAIN TO THE INDUSTRIALIZED BUILDING.
- THE WASH HALL AND PLANT-ROOM CONTAINER MUST BE ILLUMINATED ACCORDING TO LOCAL REGULATIONS.
- THE WASH HALL AND PLANT-ROOM CONTAINER MUST BE SUFFICIENTLY AERATED AND DEAERATED.
- THE WASH UNIT AND WASH UNIT EQUIPMENT MUST BE SITUATED SO THAT IT IS PROTECTED FROM FROST.
- THE FLOOR OF WASH BAYS AND PLACES IN THE WASH BAY AND OUTSIDE AREAS MUST BE LIQUID RESISTANT AND SLIP-RESISTANT
- MAKE SURE THAT THE ELEMENTS/EQUIPMENTS IN THE WASH BAY AND THE TECHNIQUE CONTAINER ARE SUFFICIENTLY PROTECTED AGAINST CORROSION.
- THE WALLS, PAINTS, WALL AND FLOOR TILES MUST BE RESISTANT TO THE CHEMISTRY.
- ALL LINES AND CONDUIT PIPES AND LINES IN THE LEGEND MUST BE PROVIDED BY THE CUSTOMER AND MUST BE INSTALLED ALSO ACCORDING TO LOCAL REGULATIONS.
- DRAINAGE PIPES, CONDUIT PIPES AND LINES IN THE INSIDE AND OUTSIDE AREAS MUST BE LAD SO THAT THEY ARE PROTECTED FROM FROST.
- WASH HALLS IN LIGHT CONSTRUCTION REQUIRE A CROSS BEAM OVER THE ENTIRE HALL LENGTH FOR THE MOUNTING OF A CABLE CONVEYOR DEVICE I.E. CATERPILLAR CHAIN
- A SAFETY DISTANCE OF MIN. 500 MM MUST BE PROVIDED FOR PERSONS IN WORKING AND TRAFFIC AREAS OF THE WASH UNIT AND FIX PARTS OF THE SURROUNDING UP TO A HEIGHT OF 2000 MM OVER THE CORRESPONDING FLOOR-BASE, SHOULD THIS SAFETY DISTANCE NOT BE OBSERVED, THEN AUTOMATIC SAFETY DEVICES ARE REQUIRED.
- IN THE WORKING AREA OF THE WASH UNIT, NOMINAL HALL LENGTH, WIDTH AND HEIGHT NO DISTURBING OBJECTS MAY BE INSTALLED BY THE CUSTOMER.
- USAGE OF A WATER RECYCLING UNIT, EXHAUSTION OF THE SEPARATION UNIT AND DRAINAGE WATER INLET ACCORDING TO LOCAL DRAINAGE WATER TREATMENT REGULATIONS AND REQUIRES AUTHORIZATION.
- CIRCULATION GUIDANCE AND DRAINAGE WATER TREATMENT OF DRAINAGE WATER FROM THE AUTOMATIC VEHICLE CLEANING FOR FEED IN THE PUBLIC DRAINAGE WATER UNIT ACCORDING TO APPENDIX 49 OF THE DRAINAGE WATER ORDNUNG (AWO) EITHER OVER SLUDGE TRAP 5000 L, DRAINAGE TANK 5000 L, WITHOUT DRAINAGE AND CHRST FONTIS-5 WITH RECYCLED WATER EJECTION, CONSTRUCTION TYPE OF THE CLASS I.E. II ACCORDING TO DIN EN 858-1, DIN EN 858-2 AND DIN 9999-100.
- NACH DIN EN 858-1, DIN EN 858-2 AND DIN 9999-100.
- ONCE OTTO CHRIST AG INSTALLED THE EMPTY CONDUITS, THE CUSTOMER MUST CLOSE THEM.
- SAFETY MEASURES FOR THE CUSTOMER PROVIDED ELECTRICAL LINES ARE TO BE TAKEN AS REQUIRED BY THE LOCAL PUBLIC POWER SUPPLY COMPANY, SHOULD A RESIDUAL CURRENT PROTECTION DEVICE BE USED.
- ONLY TYPE B (UNIVERSAL AC/DC SENSITIVE) IS AUTHORIZED FOR THE ELECTRICAL LINE E1 IT IS RECOMMENDED THAT SEPARATE SAFETY MEASURES BE TAKEN BY THE CUSTOMER FOR THE WASH TECHNIQUE.
- CONNECTION OF THE CHRST DOOR CONTROL TO THE CUSTOMER PROVIDED ONE CARRIED OUT BY THE DOOR MANUFACTURER OR AN ELECTRICIAN THE CUSTOMER CHARGED WITH.
- THE DOOR MANUFACTURER MUST GUARANTEE THE DOOR SURVEILLANCE BY MEANS OF THE DOOR CONTROL. THE DOOR MANUFACTURER'S DOOR CONTROL MUST MAKE THE SIGNAL "DOOR CLOSED" AVAILABLE VOLTAGELESS.
- THE CUSTOMER PROVIDED ELECTRICAL LINES ARE TO BE CONNECTED BY A CUSTOMER APPOINTED ELECTRICAL TECHNICIAN ACCORDING TO THE CONNECTION RULES & REGULATIONS OF THE LOCAL POWER SUPPLY COMPANY TO THE CHRST SWITCHER.
- TECHNICAL CHANGES ARE RESERVED.



LINE AND PIPES	REPRESENTATION
OVER HALL: CONTINUOUS LINE	RED: CUSTOMER PROVIDED / AVAILABLE ON SITE
UNDER HALL: DASHED LINE	BLUE: SCOPE OF DELIVERY, CHRST
	BLACK: FOUNDATION AND BUILDING, CUSTOMER PROVIDED

OTTO CHRIST AG
WASH SYSTEMS
POSTFACH 226, TEL: 0931 93295-0

© 010 D 061 42 30
SÜTZEMER GbR READING

Disturb Name
Bezahl. 10,1114, Bremen
gez.

INSTALLATION PLAN
C16E LEANUS

8421754-EN

REV B101
1