

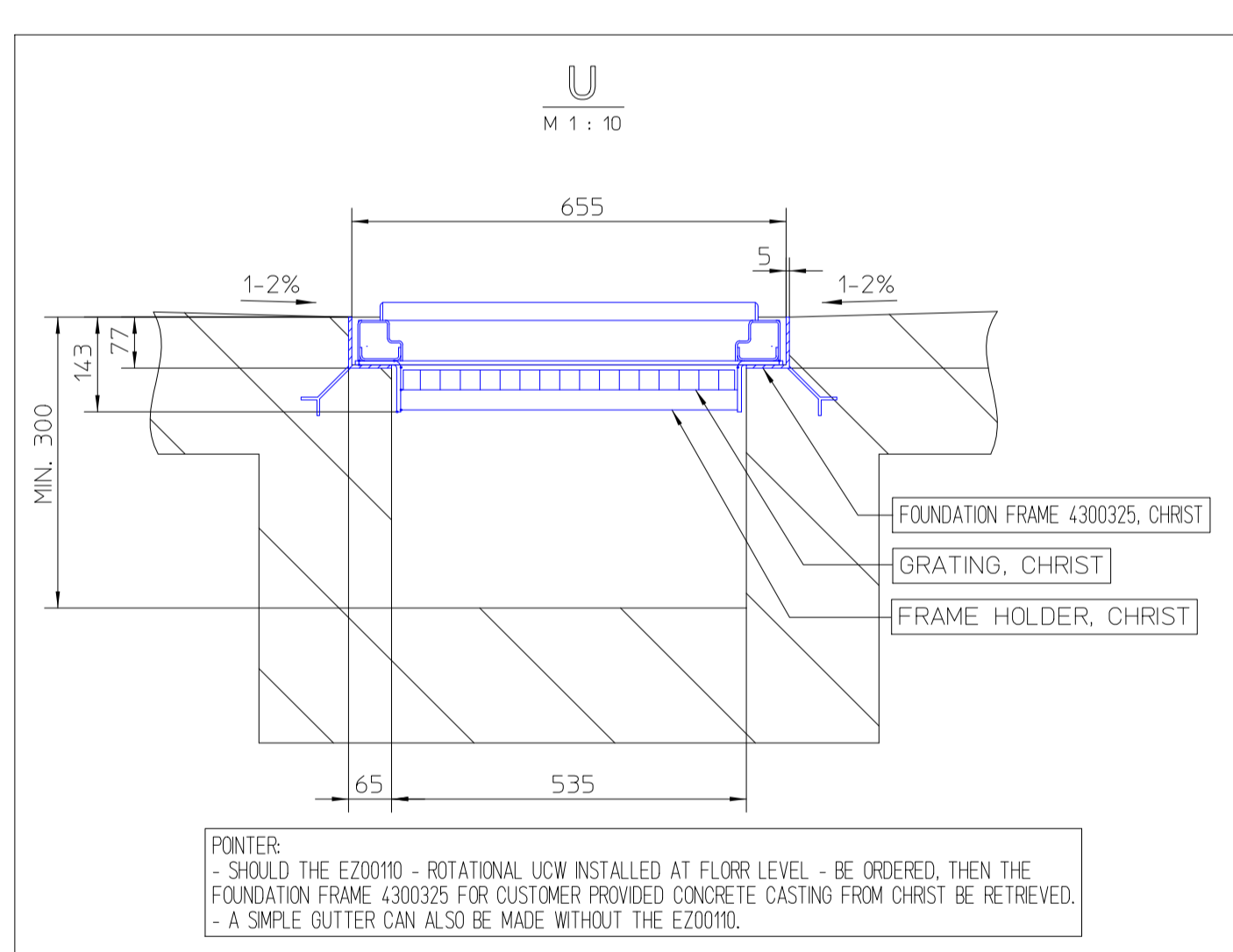
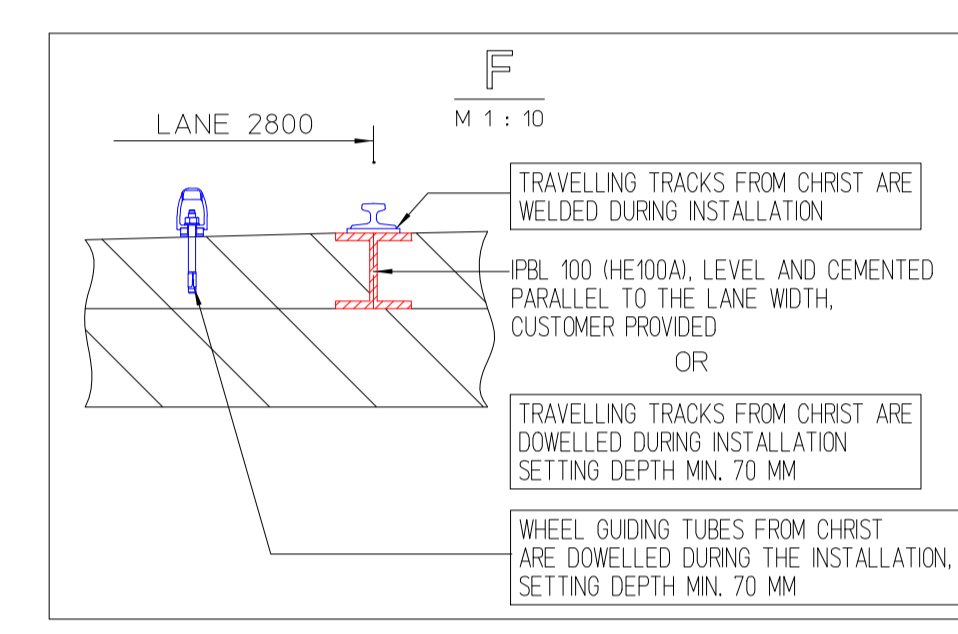
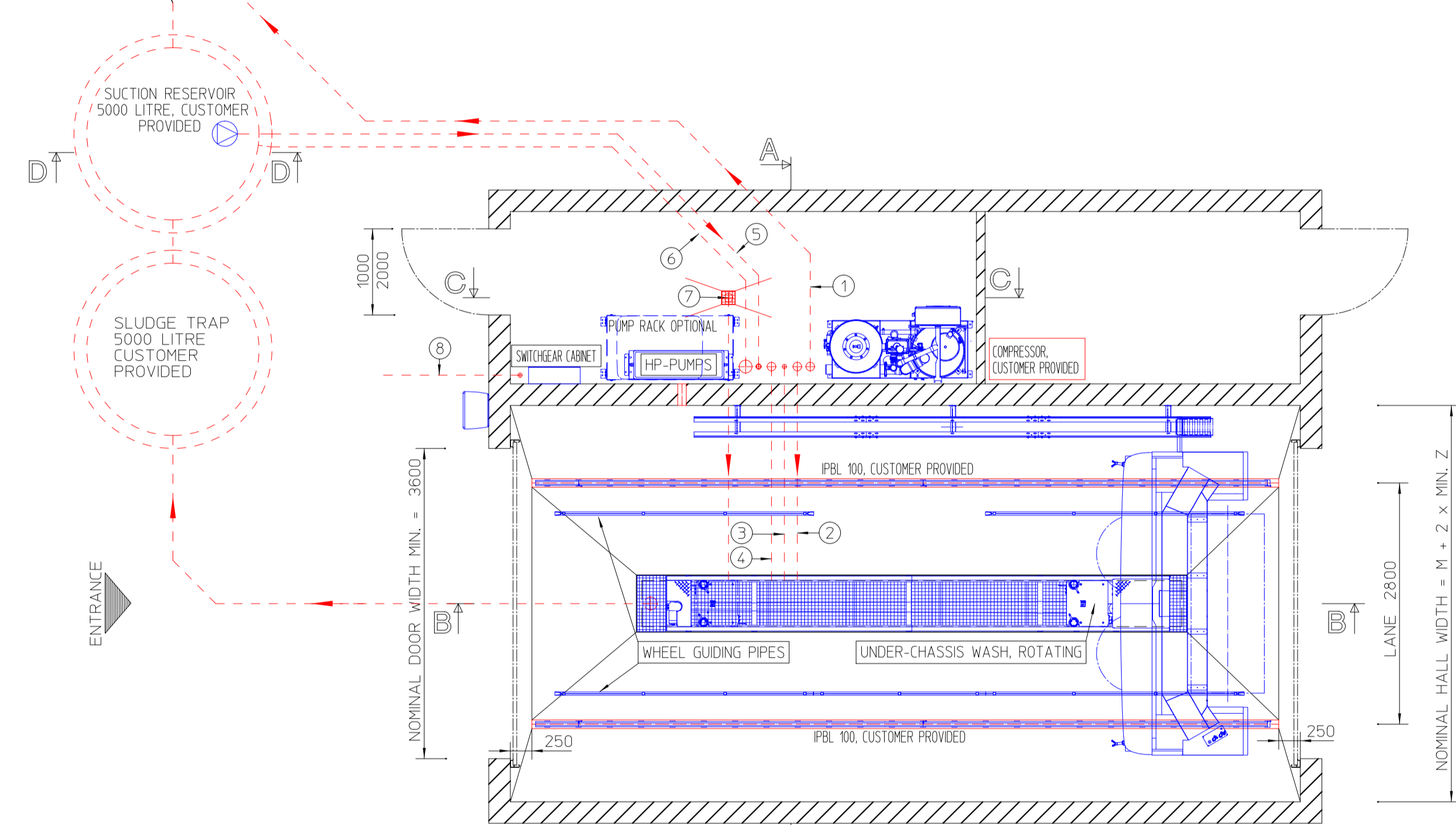
DEPCTED WASH INSTALLATION

ROLL OVER WASH UNIT SIRIUS C16		2250	2350	2450	2550	2650	2750	2850
PASSAGE HEIGHT (FH)		2250	2350	2450	2550	2650	2750	2850
L	MACHINE HEIGHT, MAX.	3080	3180	3280	3380	3480	3580	3680
V	NOMINAL HALL HEIGHT, MIN.	3130	3230	3330	3430	3530	3630	3730
PASSAGE WIDTH (PW)		2400		2550				
DISTANCE, WHEEL GUIDING PIPES (ARF)		2050		2100				
M MACHINE WIDTH, MAX.				2500				
- WITHOUT SPLASH PROTECTION		3520		3670				
- WITH SPLASH PROTECTION		3720		3870				
TRACKS, TRACK		2500		-				
STANDARD		2700		2700				
		2800		2800				
		2900		2900				
		3126		3126				
TE	CONNECTION HEIGHT CATERPILLAR CHAIN	2250	2350	2450	2550	2650	2750	2850
Z	SAFETY DISTANCE MIN. 500 MM							
Z2	SAFETY DISTANCE WITHOUT EMERGENCY-STOP DEVICE 500 MM							
	SAFETY DISTANCE WITH EMERGENCY-STOP DEVICE 125 MM							

- CIRCULATION GUIDANCE
- DRAINAGE WATER TREATMENT
- DRAINAGE WATER DISCHARGE
SEE GENERAL POINTERS

IF THE FONTIS ORDER INCLUDES THE OPTION RECYCLED WATER EJECTION, NO OVERFLOW IS REQUIRED!

THE LENGTHS EACH REFER TO A WASH LENGTH OF 5000 MM WITH SENSOTEX+ WASH MATERIAL. THE HALL MUST BE EXTENDED ACCORDINGLY SHOULD A LONGER WASH LENGTH BE REQUIRED.



LEGEND SUPPLY CONNECTIONS

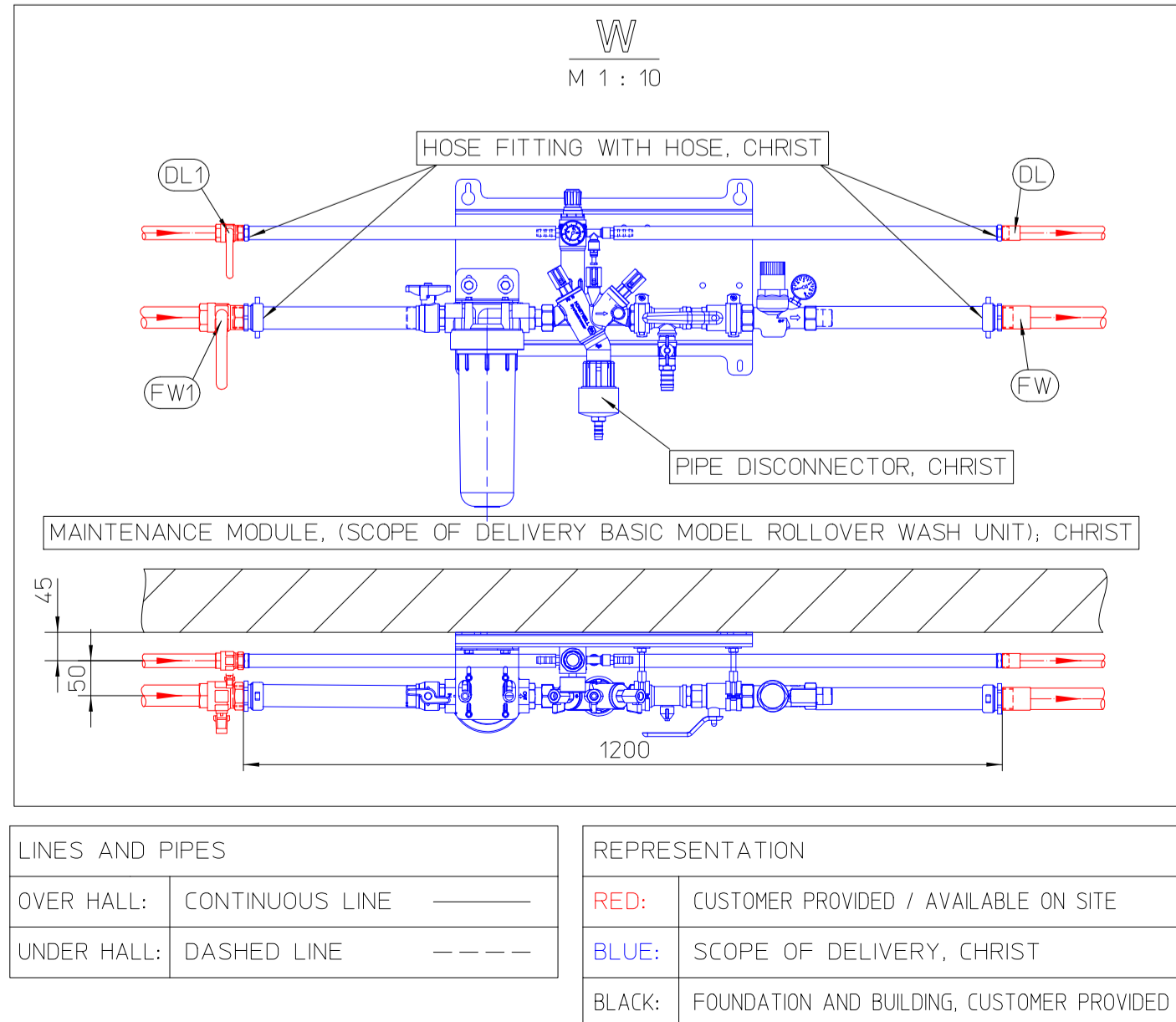
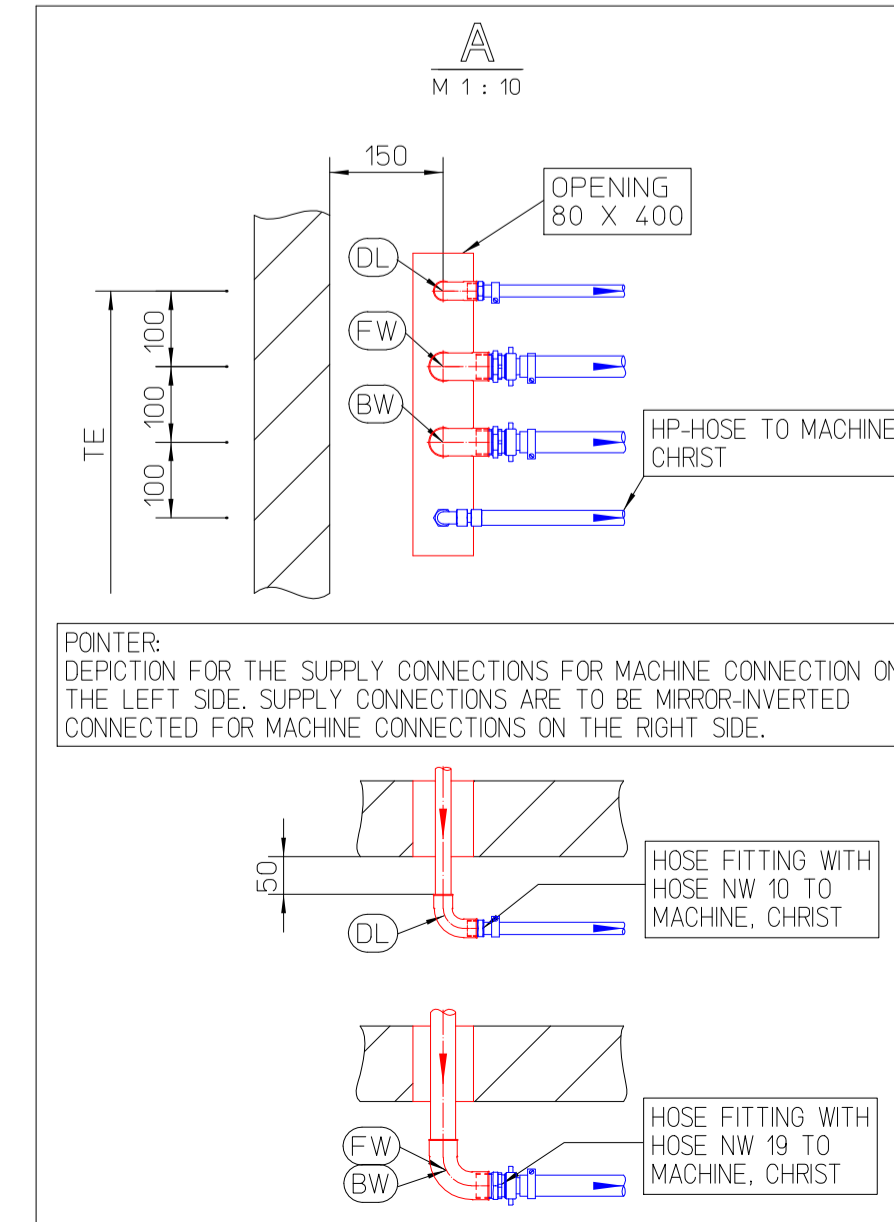
POS.	DESIGNATION	SPECIFICATION
E1	ELECTRICAL SUPPLY LEAD C16 WITH SUPPLY PUMPS TO MAX. 4.0 KW; WITH SUPPLY PUMPS TO MAX. 8.0 KW; CUSTOMER PROVIDED	400 V, 3/N/PE, 50 HZ, CABLE WITH 2 M PROTRUSION 120 KW, 21 A, 135 KW, 24 A
E2	ELECTRICAL FEEL LINE FONTIS-5, CUSTOMER PROVIDED	4 KW, 400 V, 3/N/PE, 50 HZ, 16 A, CABLE WITH 2 M PROTRUSION
FW1	FRESH WATER CONNECTION C16 + FONTIS-5, CUSTOMER PROVIDED	B.P.S. 1', LOCKABLE, 3.5 BAR, 100 L/MIN
FW	FRESH WATER LINE, CUSTOMER PROVIDED	B.P.S. 1', 3.5 BAR, 100 L/MIN, BOTH SIDES WITH CONNECTING THREAD B.P.S. 1'
DL1	AIR-PRESSURE CONNECTION C16, CUSTOMER PROVIDED	B.P.S. 1/2', LOCKABLE, 8 BAR, 300 L/MIN
DL	AIR-PRESSURE LINE, CUSTOMER PROVIDED	B.P.S. 1/2', 8 BAR, BOTH SIDES WITH CONNECTING THREAD B.P.S. 1/2'
BW	RECYCLED WATER LINE, CUSTOMER PROVIDED	B.P.S. 1', 3.5 BAR, 100 L/MIN, BOTH SIDES WITH CONNECTING THREAD B.P.S. 1'

LEGEND GROUND LINES AND CONDUIT PIPES

POS.	DESIGNATION	SPECIFICATION
1	DRAINAGE PIPE FONTIS-5 RECYCLED WATER-EJECTION, CUSTOMER PROVIDED	DN 100, WITH DECLINE TO CANALIZATION
2	DRAINAGE PIPE FONTIS-5 BACK RINSE, CUSTOMER PROVIDED	DN 100, WITH DECLINE TO UNDER-CHASSIS WATER PIT I.E. SLUDGE TRAP
3	CONDUIT PIPE FONTIS-5 - FLOCCULANTS-DOSING, CUSTOMER PROVIDED	DN 50, WITH PULL WIRE AND DECLINE TO UNDER-CHASSIS WATER PIT I.E. SLUDGE TRAP
4	CONDUIT PIPE UNDER-CHASSIS WASHER, CUSTOMER PROVIDED	DN 100, WITH PULL WIRE AND DECLINE TO UNDER-CHASSIS WATER PIT
5	PRESSURE LINE FONTIS-5 - POLLUTED WATER, CUSTOMER PROVIDED	DN 50 (HOPE-ROHR 63x5,8 MM PN6, DN 8074/8075), BOTH SIDES WITH CONNECTING THREAD B.P.S. 2', DECLINE TO DRAINAGE TANK, MAX. LENGTH 25 M, GEODETIC CONTROL HEIGHT 3 MTR.
6	CONDUIT PIPE FONTIS-5, FEED LINE DRAINAGE-PIT, CUSTOMER PROVIDED	DN 150, WITH PULL WIRE AND DECLINE TO DRAINAGE TANK
7	DRAINAGE PIPE PLANT ROOM, CUSTOMER PROVIDED	DN 100, WITH DECLINE TO SLUDGE TRAP
8	CONDUIT PIPE C-CAT DATA CABLE, CUSTOMER PROVIDED	DN 50, WITH PULL WIRE TO THE CASHIER OFFICE, DATA CABLE TO BE LAID BY THE CUSTOMER RETRIEVED AT CHRIST

GENERAL POINTERS:

- THIS PLAN IS NOT BASED ON A SPECIFIC PROJECT AND IS NOT AN IMPLEMENTATION PLAN. IT IS PURELY FOR THE USAGE OF THE ARCHITECT / PLANNER.
- THE OTTO CHRIST AG IS TO BE NOTIFIED OF DEVIATIONS IN CUSTOMER PERFORMANCES.
- MEASUREMENTS ARE GIVEN IN MM.
- MEASUREMENTS PERTAIN TO THE INDUSTRIALIZED BUILDING.
- THE WASH HALL AND PLANT-ROOM CONTAINER MUST BE VENTILATED ACCORDING TO LOCAL REGULATIONS.
- THE WASH HALL AND PLANT-ROOM CONTAINER MUST BE SUFFICIENTLY AERATED AND DEAERATED.
- THE WASH UNIT AND WASH UNIT EQUIPMENT MUST BE SITUATED SO THAT ITS PROTECTED FROM FROST.
- THE FLOOR OF WASH BAYS AND PLACES AND TECHNIQUE CONTAINERS MUST BE LIQUID RESISTANT AND SLIP-RESISTANT.
- MAKE SURE THAT THE ELEMENTS/EQUIPMENTS IN THE WASH BAY AND THE TECHNIQUE CONTAINER ARE SUFFICIENTLY PROTECTED AGAINST CORROSION.
- THE WALLS, PAINTS, WALL AND FLOOR TILES MUST BE RESISTANT TO THE CHEMISTRY.
- ALL LINES AND CONNECTIONS DESCRIBED IN THE LEGEND MUST BE PROVIDED BY THE CUSTOMER AND MUST BE INSTALLED ALSO ACCORDING TO LOCAL REGULATIONS.
- DRAINAGE PIPES, CONDUIT PIPES AND LINES IN THE INSIDE AND OUTSIDE AREAS MUST BE LAID SO THAT THEY ARE PROTECTED FROM FROST.
- WASH HALLS IN LIGHT CONSTRUCTION REQUIRE A CROSS BEAM OVER THE ENTIRE HALL LENGTH FOR THE MOUNTING OF A CABLE CONVEYOR DEVICE I.E. CATERPILLAR CHAIN.
- A SAFETY DISTANCE OF MIN. 500 MM MUST BE PROVIDED FOR PERSONS IN WORKING AND TRAFFIC AREAS OF THE WASH UNIT BETWEEN THE WASH UNIT AND FIX PARTS OF THE SURROUNDING UP TO A HEIGHT OF 2000 MM OVER THE CORRESPONDING FLOOR-BASE, SHOULD THIS SAFETY DISTANCE NOT BE OBSERVED, THEN AUTOMATIC SAFETY DEVICES ARE REQUIRED.
- IN THE WORKING AREA OF THE WASH UNIT (NOMINAL HALL LENGTH, WIDTH AND HEIGHT) NO DISTURBING OBJECTS MAY BE INSTALLED BY THE CUSTOMER.
- USAGE OF A WATER RECYCLING UNIT, EXECUTION OF THE SEPARATION UNIT AND DRAINAGE WATER INLET ACCORDING TO LOCAL DRAINAGE WATER TREATMENT REGULATIONS AND REQUIRES AUTHORIZATION.
- CIRCULATION GUIDANCE AND DRAINAGE WATER TREATMENT OF DRAINAGE WATER FROM THE AUTOMATIC VEHICLE CLEANING FOR FEED IN THE PUBLIC DRAINAGE WATER UNIT ACCORDING TO APPENDIX C9 OF THE DRAINAGE WATER ORDINANCE (AWVO) EITHER OVER SLUDGE TRAP 5000 L, DRAINAGE TANKI 5000 L, (WITHOUT DRAINAGE) AND CHRIST FONTIS-5 WITH RECYCLED WATER EJECTION (CONSTRUCTION TYPE OF THE CLASS I.E. II ACCORDING TO DIN EN 858-1, DIN EN 858-2 AND DIN 1999-100, NACH DIN EN 858-1, DIN EN 858-2 UND DIN 1999-100.
- ONCE OTTO CHRIST AG INSTALLED THE EMPTY CONDUITS, THE CUSTOMER MUST CLOSE THEM.
- SAFETY MEASURES FOR THE CUSTOMER PROVIDED ELECTRICAL LINES ARE TO BE TAKEN AS REQUIRED BY THE LOCAL PUBLIC POWER SUPPLY COMPANY, SHOULD A RESIDUAL CURRENT PROTECTION DEVICE BE USED, ONLY TYPE B (UNIVERSAL AC/DC SENSITIVE) MIN. 300 MA IS AUTHORISED FOR THE ELECTRICAL LINE EI IT IS RECOMMENDED THAT SEPARATE SAFETY MEASURES BE TAKEN BY THE CUSTOMER FOR THE WASH TECHNIQUE.
- CONNECTION OF THE CHRIST DOOR CONTROL TO THE CUSTOMER PROVIDED ONE CARRIED OUT BY THE DOOR MANUFACTURER OR AN ELECTRICIAN THE CUSTOMER CHARGED WITH.
- THE DOOR MANUFACTURER MUST GUARANTEE THE DOOR SURVEILLANCE BY MEANS OF THE DOOR CONTROL.
- THE DOOR MANUFACTURER'S DOOR CONTROL MUST MAKE THE SIGNAL 'DOOR CLOSED' AVAILABLE VOLTAGELESS.
- THE CUSTOMER PROVIDED ELECTRICAL LINES ARE TO BE CONNECTED BY A CUSTOMER APPOINTED ELECTRICAL TECHNICIAN ACCORDING TO THE CONNECTION RULES & REGULATIONS OF THE LOCAL POWER SUPPLY COMPANY TO THE CHRIST SWITCHGEAR.
- TECHNICAL CHANGES ARE RESERVED.



OTTO CHRIST AG
WASH SYSTEMS
87882 MEININGEN
POSTFACH 1254 - TELEFON 08331/857-0

© OTTO CHRIST AG 2016
SCHUTZVERMERK 80106 BEAHTEN

Masstab 1 : 50

A1

INSTALLATION PLAN
C16 SIRIUS

8421016-EN

REV 04

Blatt	Rev	Datum	Name
04	1	21.10.16	Brehm
03	1	20.10.16	Brehm
02	1	29.08.16	Stamm
01	1	18.05.15	Brehm