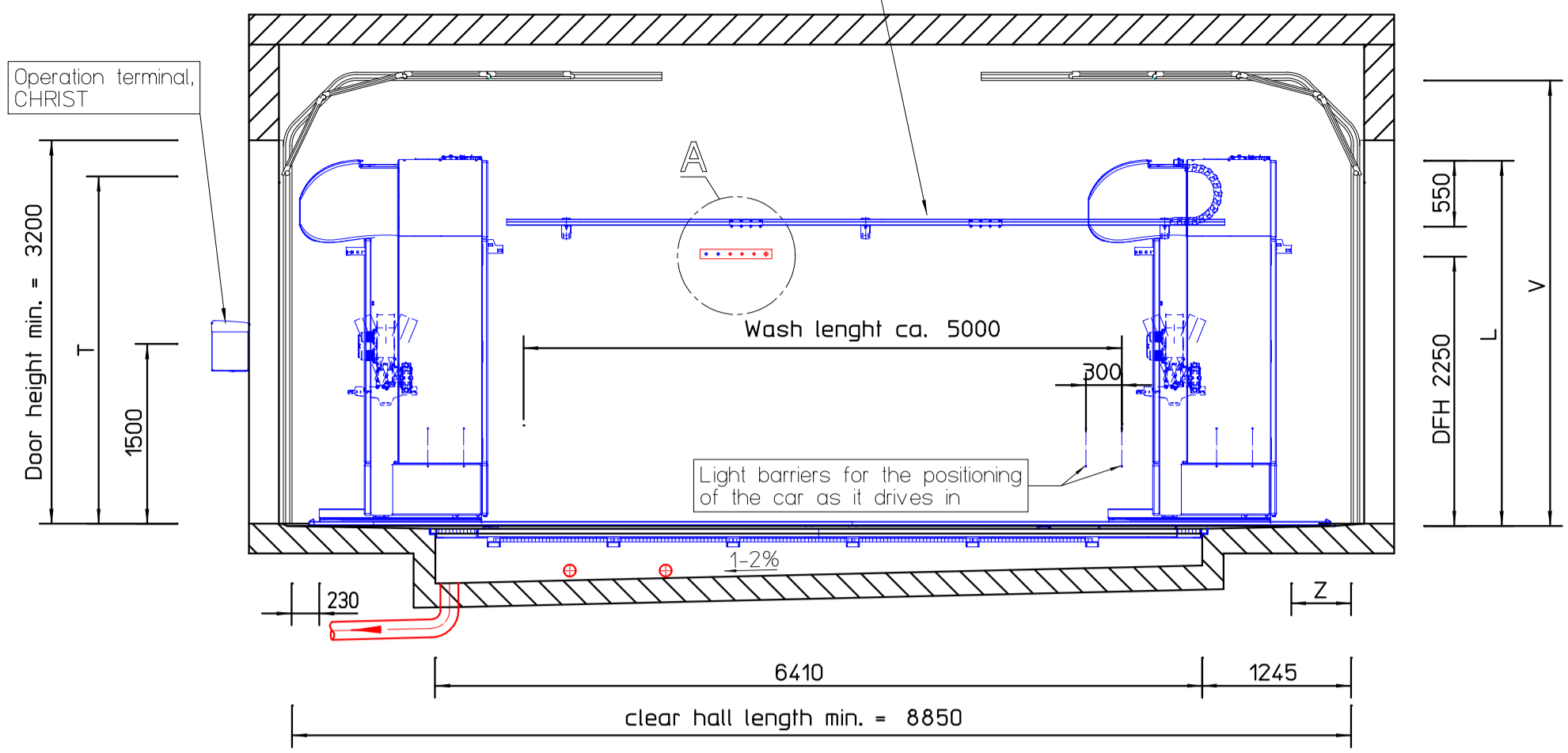


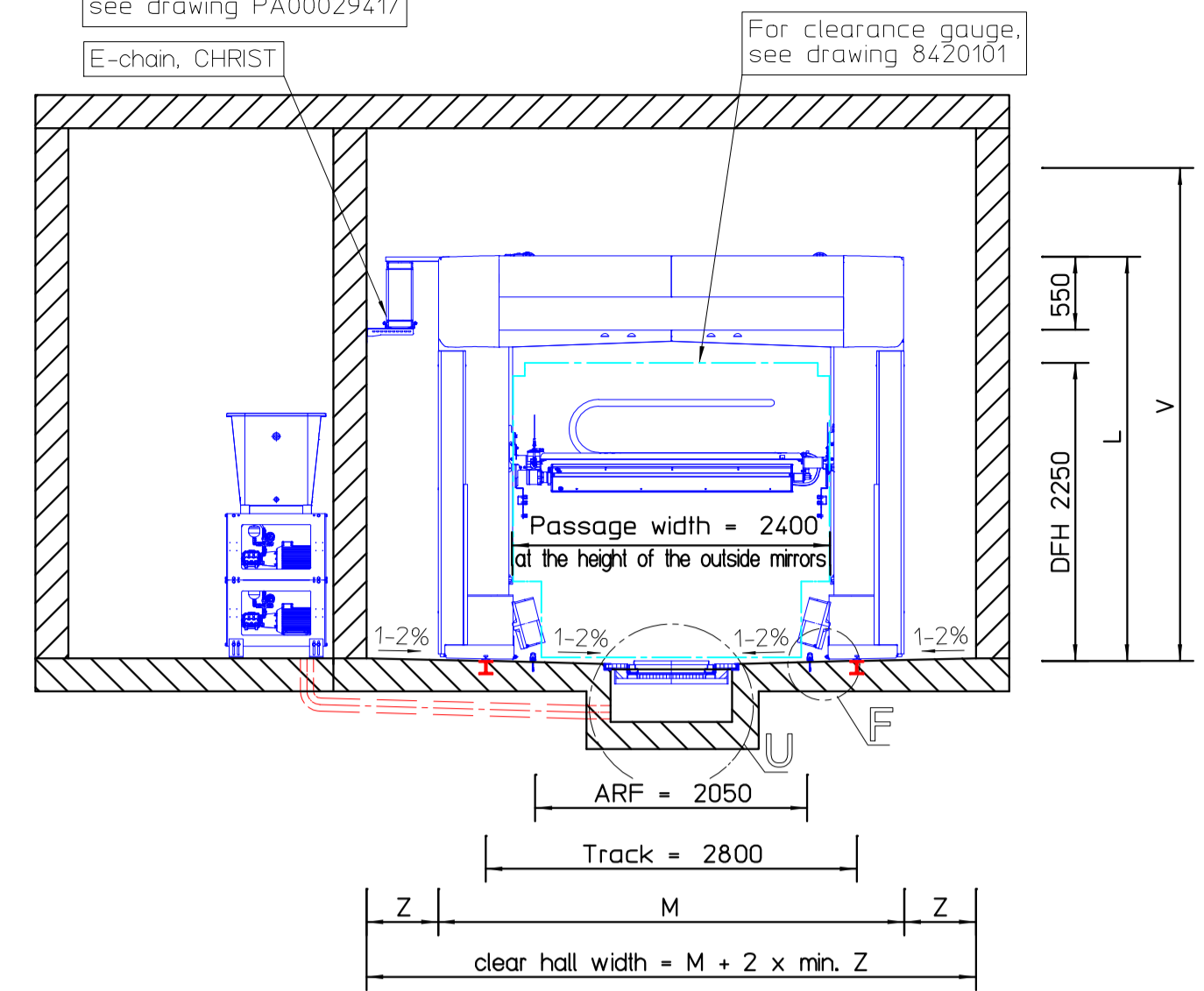
The deposit tray of the energy management chain shall be connected by the customer to a potential equalization.

B - B



The hall lengths each refer to a wash length of 5000 mm with wash material SENSOTEX+, with PWA basic version. Optional PWA equipment may have an influence on the wash lengths. If a longer wash length is required, a hall length extension is required accordingly.

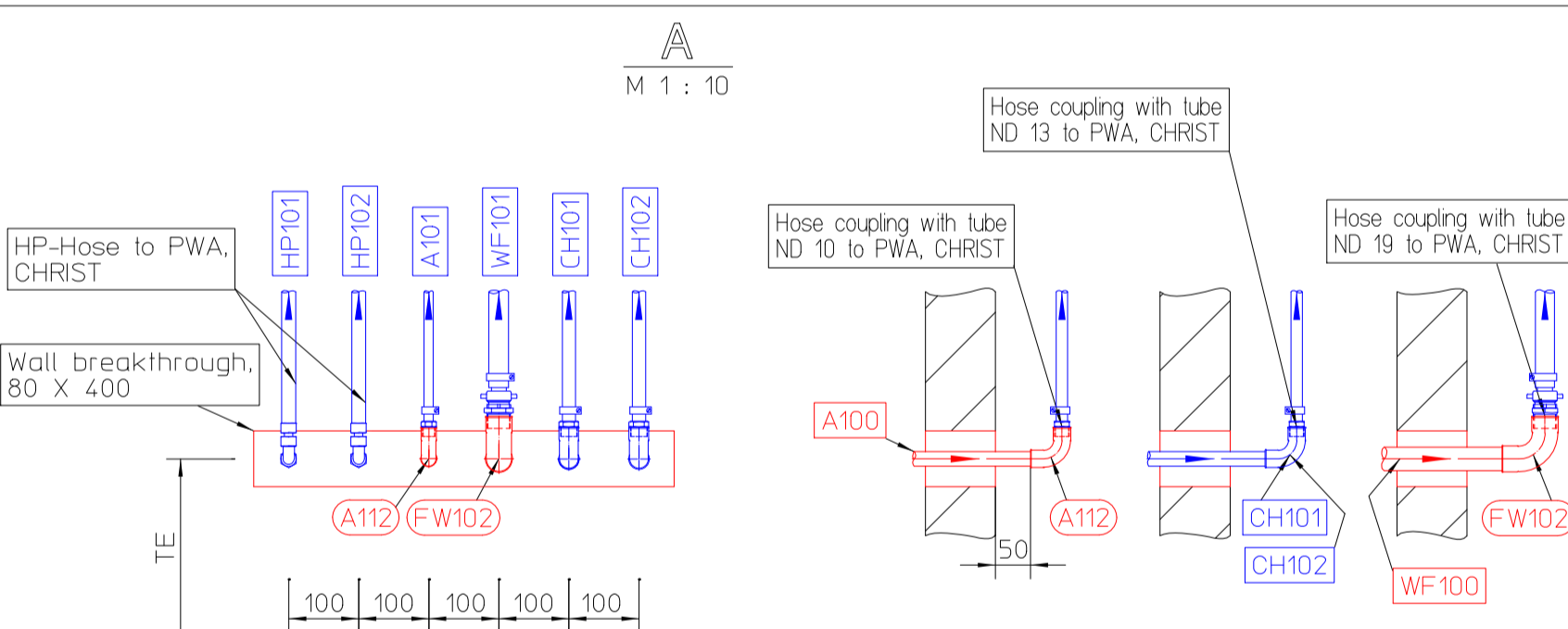
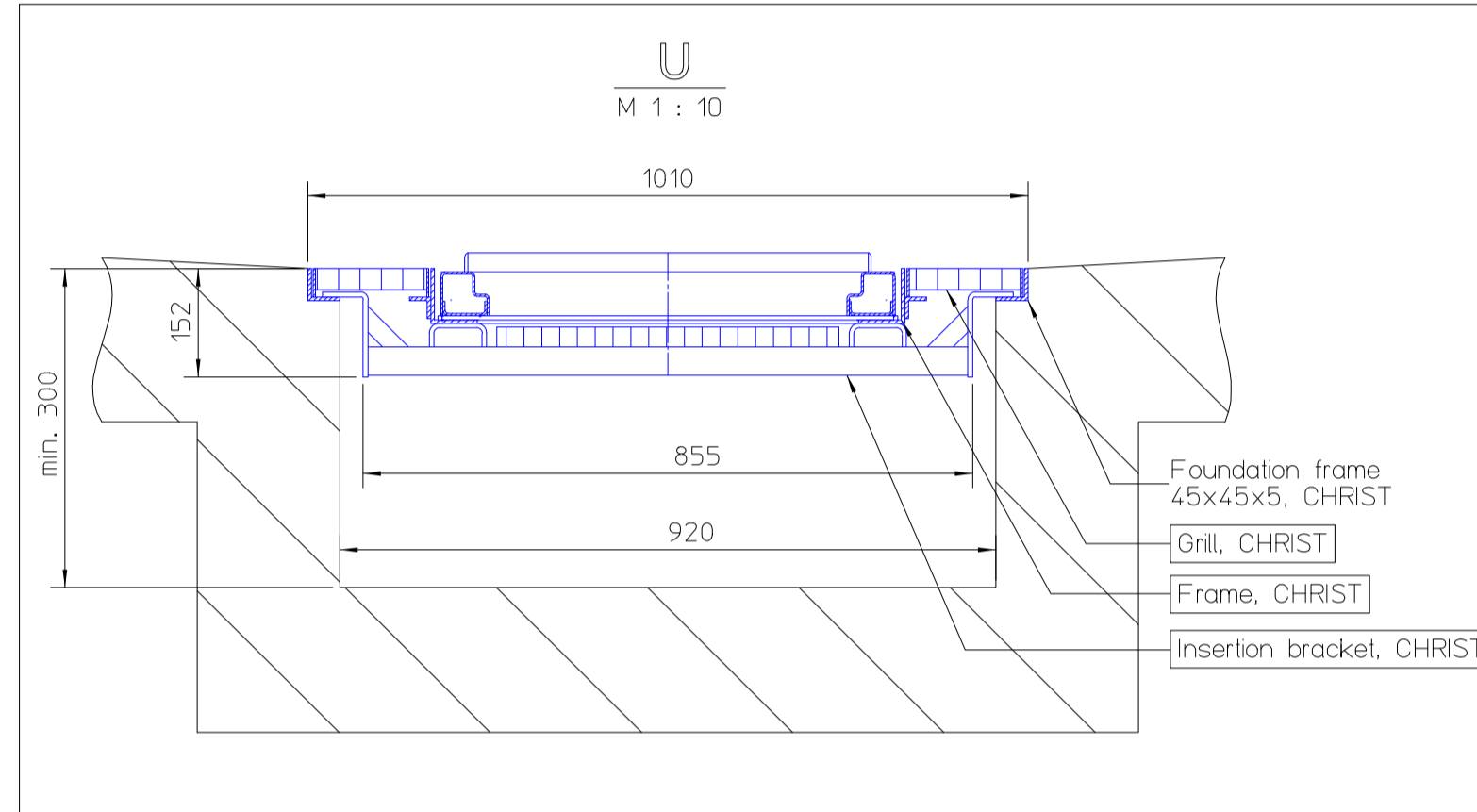
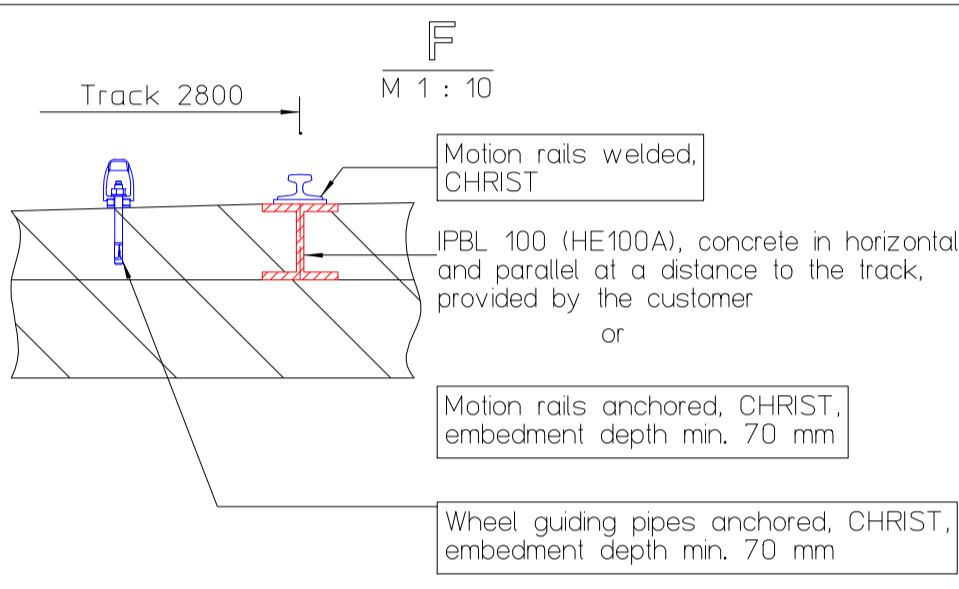
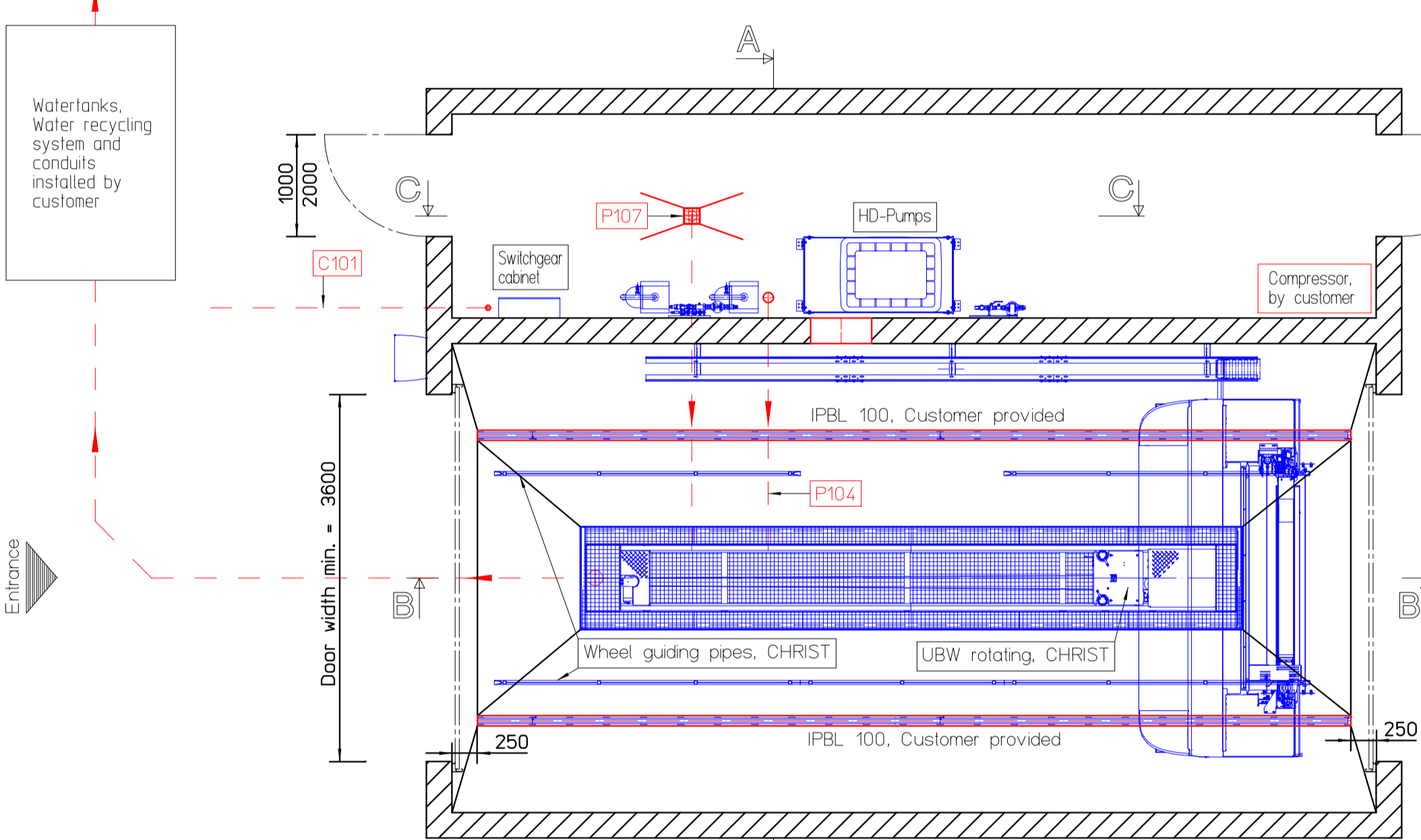
A - A



PWA Shown

Roll over wash unit SIRIUS C16								
Passage height DFH	2250	2350	2450	2550	2650	2750	2850	3100
L Machine height	3080	3180	3280	3380	3480	3580	3680	3930
V Clear hall height, min.	3130	3230	3330	3430	3530	3630	3730	3980
Passage width DFB	2400							
Distance wheel guiding pipes ARF	2050							
M Machine width max.	3520							
Track width of track	2500							
	2700							
	2800							
	2900							
	3126							
TE Connection height E-chain	2250	2350	2450	2550	2650	2750	2850	3100
Z Safety distance 500 mm								

- recirculation
- sewage pre-treatment
- waste water inlet line
see general pointers



Legend for supply connections and lines - installed by customer

Pos.	Designation	Specification
E100	Electric connection of PWA inkl. supply pump up to max. 20,0 kW; supply pump up to max. 24,0 kW; supply pump up to max. 28,0 kW;	400 V, 3/N/PE, 50 Hz, cable with 2 m protrusion 29,0 kW, 56 A 34,0 kW, 65 A 39,0 kW, 74 A
FW100	Fresh water connection from the water network	Connection DIN EN 10226-1, Rp 1", inner thread, lockable, flow pressure 4 bar, delivery rate 100l/min.
FW101	Fresh water connection from the installations room into the wash hall	Connection DIN EN 10226-1, Rp 1", inner thread, lockable, flow pressure 4 bar, delivery rate 100l/min.
FW102	Fresh water connection wash hall	Connection DIN EN 10226-1, Rp 1", inner thread, flow pressure 4 bar, delivery rate 100l/min.
WF100	Fresh water pressure line	Flow pressure 4 bar, delivery rate 100l/min.
A110	Compressed air connection installations room	Connection DIN EN 10226-1, Rp 1/2", inner thread, lockable
A111	Compressed air connection from the installations room into the wash hall	Connection DIN EN 10226-1, Rp 1/2", inner thread, lockable, flow pressure 6 bar, delivery rate (of a piston compressor): 300 l/min. - plant with anti-frost / water emptying 200 l/min. - plant without anti-frost / water emptying
A112	Compressed air connection wash hall	Connection DIN EN 10226-1, Rp 1/2", inner thread, flow pressure 6 bar, delivery rate 300 l/min.
A100	Compressed air line	Flow pressure 6 bar, delivery rate 300 l/min.

Legend for underground pipe an empty conduits - installed by customer

Pos.	Designation	Specification
P104	Empty conduit UBW	DN 100, with pulling wire and gradient to the UBW
P107	Outlet pipe installations room	DN 100, with gradient to the sludge trap
C101	Empty conduit C-CAT data cable	DN 50, with pulling wire to the cash office (request data cable for installation by the customer from CHRIST)

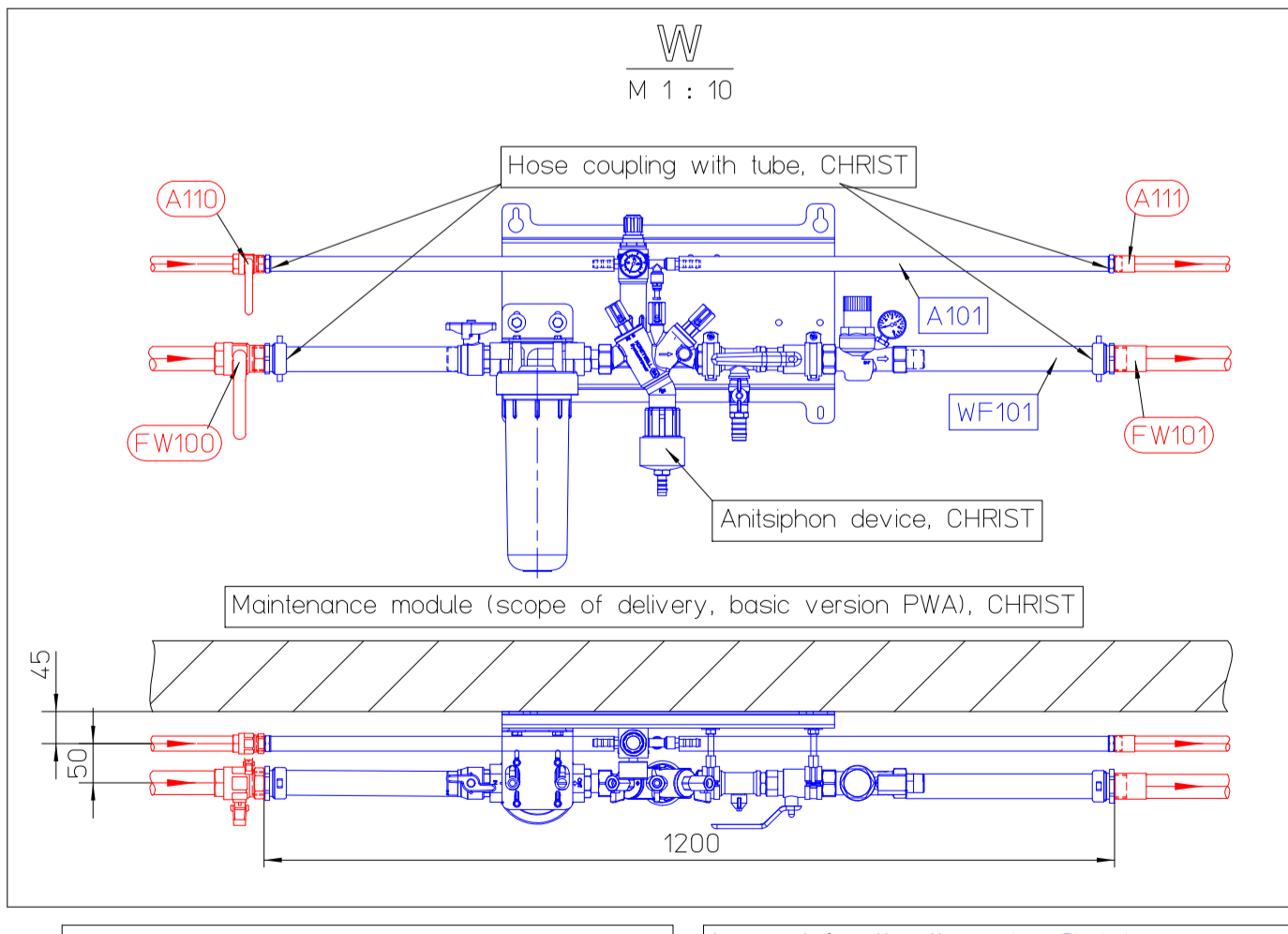
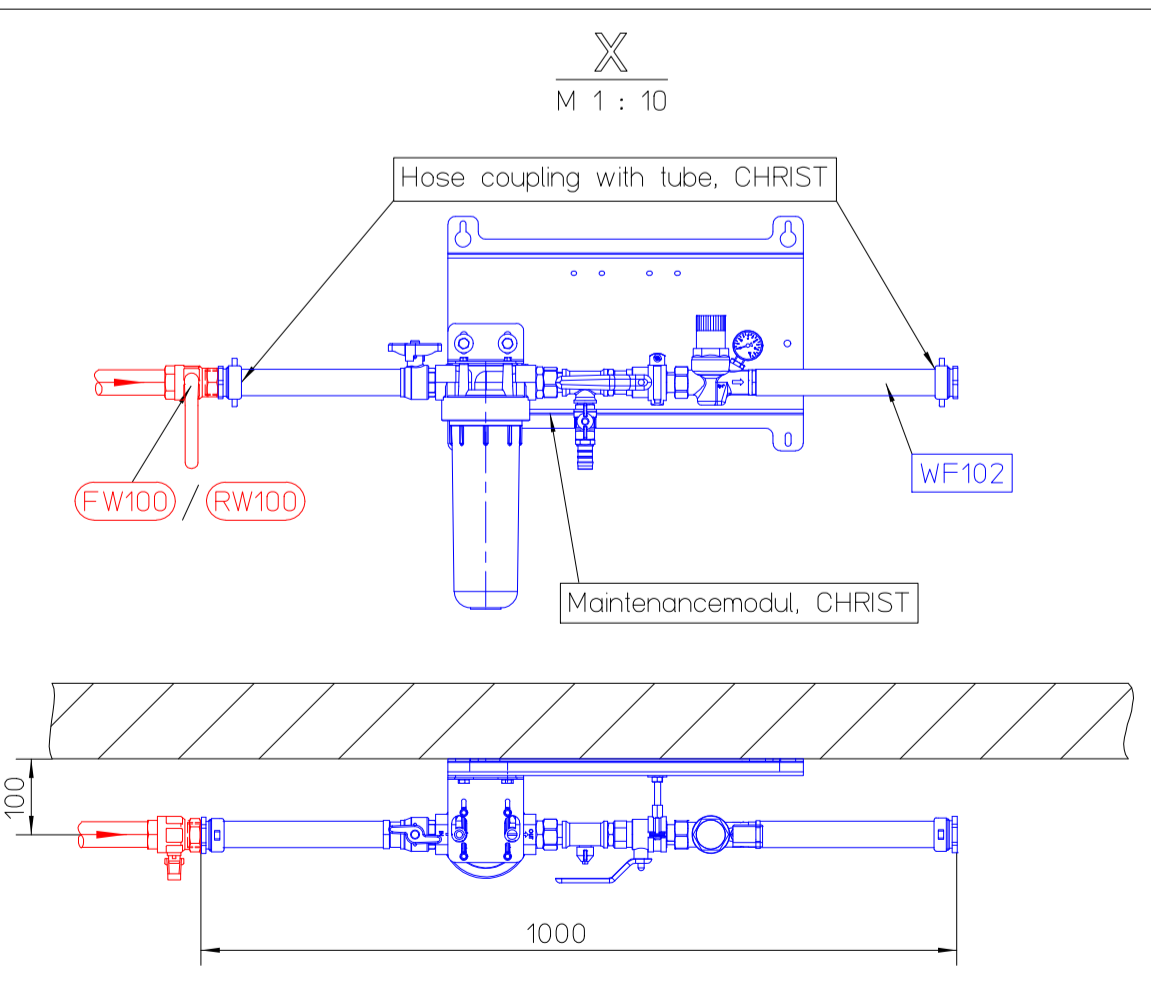
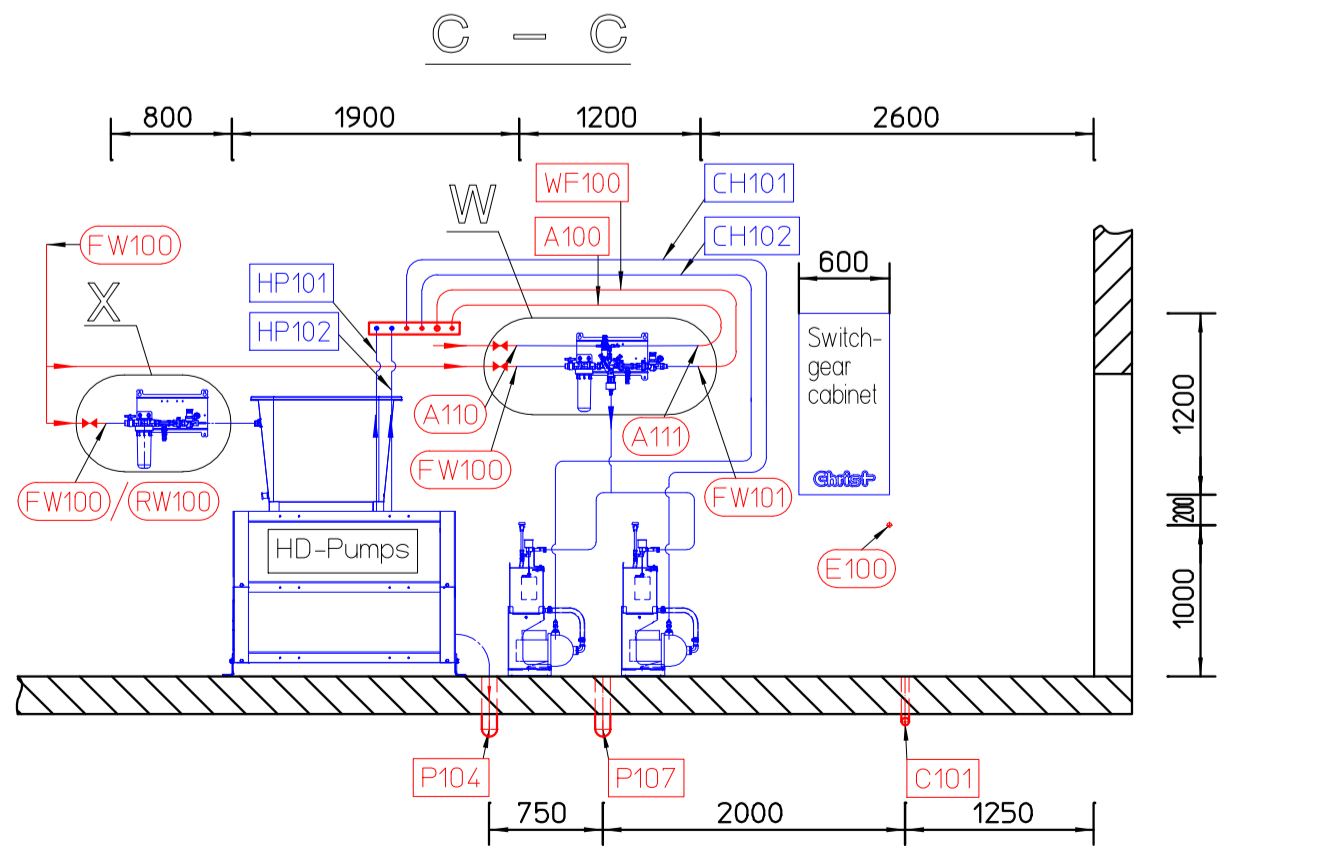
General pointers:

- This plan is a general one and cannot be used as implementation plan.
- This plan is a reference for the architect / planner.
- Inform the OTTO CHRIST AG about any deviation of the customer provided performances.
- Specified dimensions in mm.
- The specified dimensions concern the prefabrication.
- The wash hall and the installations room shall be illuminated according to the regulations.
- The wash hall and the installations room shall be sufficiently aerated and ventilated.
- The sites of the wash systems and the technology must be frost proof.
- The floor of the wash halls, wash bays and installations rooms shall be liquid-tight and skid-resistant.
- Make sure that the elements / device placed in the wash hall and the installations room are sufficiently protected against corrosion.
- The walls, panels, wall and floor tiles shall be resistant against the chemicals that will be used.
- All lines and connections described in the legend must be provided by the customer and installed according to local regulations.
- The outlet pipes, empty conduits and lines installed indoor and outdoor must be frost resistant.
- Wash halls in light construction, a crossarm is required over the complete hall length to accommodate the E-chain.
- In the work and traffic zone of the wash system, a safety distance of min. 500 mm shall be available between the wash system and the fixed parts of the surrounding, up to a height of 2000 mm over the stand area of staff. If the safety gap cannot be maintained, automatic safety devices are required.
- In the work area of the wash system (= clear hall length, width and height) no disturbing contours are permitted due to parts provided by the customer.
- The use of a water preparation unit, the model of the separator system and the waste water inlet line must be in accordance with local regulations and are subject to approval.
- The recirculation and sewage pre-treatment of sewage water from the mechanical vehicle cleaning for discharge into the public drainage system in accordance with annex 4.9 of the wastewater decree (AbwVO) must either take place via the sludge trap 5000 l, the discharge tank 5000 l and separator of class I in accordance with DIN EN 858-1, DIN EN 858-2 and DIN 1999-100.
- Empty conduits must be closed by the customer after installation by CHRIST.
- It is up to the customer to take protective measures as required by the public power supply company for the electrical cables. If a leakage current protection device is used, the electric supply line E1 type B (sensitive to all types of current) with min. 300 mA is the only one approved. Separate protective measures should be taken by the customer for the wash technique.
- The CHRIST door control shall be connected to the one provided by the customer by the manufacturer or an electrician ordered by the customer. The surveillance of the doors shall be ensured by means of the door control of the door manufacturer.
- The electric supply lines provided by the customer must be connected to the CHRIST switch-board plant in accordance with the connection provisions specified by the local power supply company.
- Subject to technical modifications.

EZ00120 foundation frame length, CHRIST = 6500

1200

clear hall length min. = 8850



Abbreviations:

PWA	roll over wash unit
UBW	under-chassis wash device
BWA	recycled water ejection
E-chain	energy management chain
ARF	distance, wheel guiding pipes
HD	high-pressure

Legend for the lines: by Christ

Pos.	Designation
WF101	pressure line for fresh water 1
WF102	pressure line for fresh water 2
WR101	pressure line for recycled water 1
HP101	pressure line for high-pressure 1
HP102	pressure line for high-pressure 2
A101	compressed air line
CH101	pressure line for chemistry 1
CH102	pressure line for chemistry 2

Lines and pipes

above floor:	continuous line
under floor:	dotted line

Representation:

Red:	customer provided performance / provided by the customer
Blue:	CHRIST scope delivery
Black:	foundation and building provided by the customer

OTTO CHRIST AG
WASH SYSTEMS
87882 MICHINGEN
POSTFACH 3254 TELEFON 08331857-0

© OTTO CHRIST AG 2019 - SCHUTZVERMERK 10 808 BEAHTEN

Datum Name
Bearb. 09.11.12 Brehm
Gepr.

Maßstab 1 : 50

INSTALLATION PLAN STANDARD
C166 AQUATUS

8421166-EN REV 04

Zust. Änderung Datum Name